

MULTI-ROOM

WHD

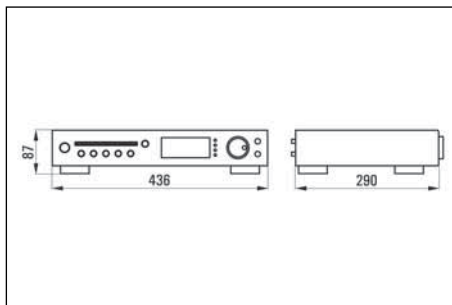
- > Digital Audio Multi-Room System p. 104-107
- > EIB/KNX Audio System p. 108-110
- > Infra-Red Control, IR Roomlink p. 111
- > Remote Controlled Radio p. 112
- > Passive Audio Distribution p. 113
- > Low Voltage Transformer p. 114
- > Multi-Room Systems Accessories p. 115-116
- > Technical Annex p. 117-123



Digital Audio Multiroom System for transmitting audio- and digital data via standard IT networks (100BaseT systems: Ethernet, Twisted Pair, 100 Mbit/s) in max. 254 zones. Latency free, uncompressed data transmission in real time (CD quality). 6 Hi-Fi audio sources can be reproduced centrally, and an additional 4 via local input modules (DAM-LI) can be played at any node in the network and controlled remotely. It can be remote controlled via customised IR-key-pad units – which fits into all standard switch boxes- or via IP (e.g. via touch panels, PCs, PDAs or media controls). The DAM KNX link is available for the integration into the KNX building automation. For information about the structure of the system, please see the Technical Annex at the back of the catalogue.

hifidelio pro

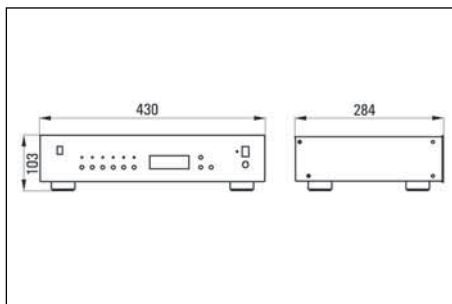
This audio music archive including 160 GB storage capacity for up to 2,700 hours of music, sorted by album, artist or track is an ideal music source for use in the entire house. As well as its CD library, the music server MS 160 also allows users to play Internet radio stations and to visualise and play music from devices such as iPods connected to it via USB. Control of the music server is integrated into the DAM PC software but can also be realised by touchpanel or PDA using VNC software.



Technical Data	hifidelio
Audio Output	1 x analogue (RCA) + digital (S/P-DIF optical toslink and coaxial RCA)
Other Connections/Interfaces	Built-in 4 port switch with 10/100 Mbit/s, 54 Mbit/s WLAN -Access-Point, 2 x USB 1.1/2.0 ports
CD Drive	12x speed (read), supported formats: music CD, CD-R, CD-RW
Supported Import Formats	MP3 CBR and VBR, AIFF/WAV, FLAC
Supported Playback Formats	MP3 and MP 3VBR, AAC, FLAC, Ogg/Vorbis, AIFF/WAV
Power Requirements	230 V AC/50Hz
Colour	black, silver

DAM 6000 V3

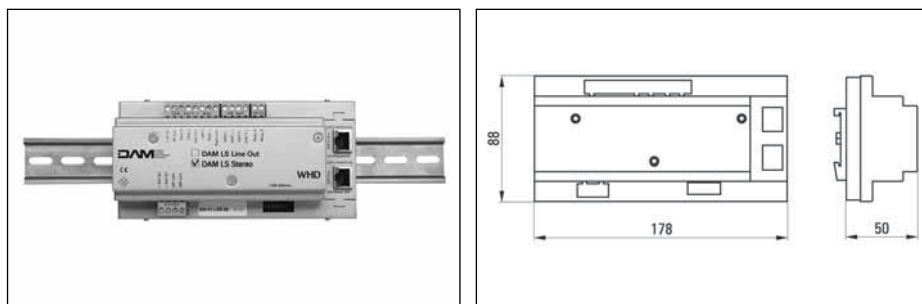
The DAM Central unit DAM 6000 is responsible for digitising the connected sound sources and full control of the system. A detailed menu can be used to configure all the settings on the device itself or via the network interface (TCP/IP) using a PC and the integrated web browser. Software to enable the user to control the DAM system using a touch panel or PDA is also included in the delivery. The central unit also has the functionality of a learnable remote control. It stores the IR commands and sends the learnt IR commands to the sources via the IR transmitter. The digitalised audio data are subsequently made available to the digital DAM audio interface (RJ 45) together with the control data. Up to 254 zones are possible at this data string with the DAM LS stereo/line out speaker modules via a daisy-chain or star configuration. Other features include: 6 Preset buttons used to save scenarios, timer function/alarm clock, switched network sockets for the sound sources and the PSUs for supplying the LS modules, trigger input detects the status of the sound sources and prevents accidental switch-off when used together with a home cinema system.



Technical Data	DAM 6000 V3
Audio Input	5 x analogue (RCA), 1x digital (S/P-DIF optical toslink or coaxial RCA)
Audio Output	DAM Audio Network to DAM LS-Modules (RJ45) real time uncompressed audio
Other Connections/Interfaces	switched outlets 110-250 VAC, 50/60 Hz, trigger-out, Ethernet (TCP/IP, RJ45), 6 x routed IR ports
Power Requirements	110-250 VAC, 50/60 Hz
Material	Case: metal
Colour	black, silver
Accessories	IR-Remote RC 6000, IR-Touch-Remote TP 6000

DAM V3 LS Stereo, DAM V3 LS Line-Out

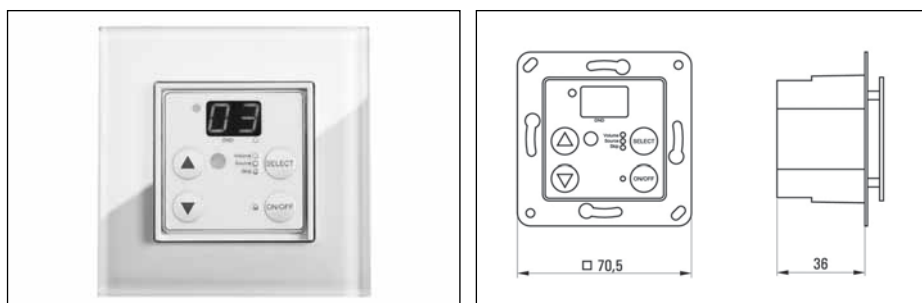
Speaker module with 2 x 20 W stereo amp and line out output for top-hat rail assembly. Each speaker module represents a zone, selects a stereo audio signal from the DAM network and converts it to an analogue signal before making it available to the line out/speaker outputs. RJ45 sockets for connecting and looping within the DAM audio network. Up to 254 zones are possible. The DAM LS provides a relay contact switch, e.g. to trigger an active speaker or external power amplifier. A connection for up to three control unit DAM-IR is also available. The built-in digital signal processor enables you to make sound settings adjusted to the particular speaker and room. DAM system addresses are assigned by DIP switches.



Technical Data	DAM V3 LS Stereo	DAM V3 LS Line-Out
Audio Output	Speaker level stereo & variable line level stereo	Variable line level stereo
Power Output	2 x 20 W/8 Ohm	n/a
Other Connections/Interfaces	Relay, IR-Module interface, audio network in/out	Relay, IR-Module interface, audio network in/out
Power Requirements	24 VDC	24 VDC
Consumption	2.5 A	0.15 A
Material	10 REG DIN-rail metal case	10 REG DIN-rail metal case
Colour	silver	silver
Accessories	Power supply 24/2.5	Power supply PS 24/1.5

DAM V3 IR

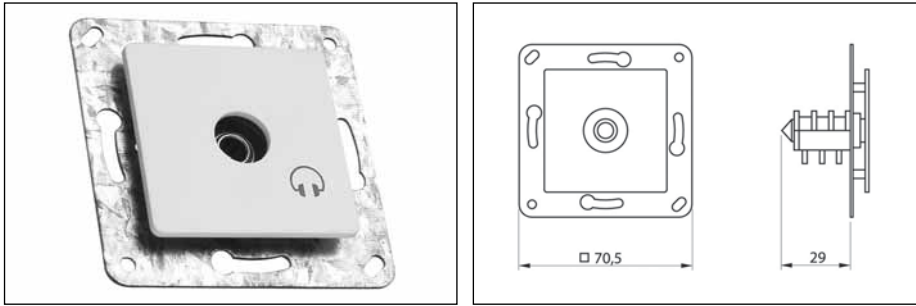
Combined IR-keypad module with display. Connection to the DAM LS speaker module for controlling DAM zones via a keypad or IR remote control. Easy to use: The most important functions can be controlled using 4 keys. The Select button is used to switch between “Volume”, “Source” and “Skip”. Depending on the source, the Skip button moves to the next track or next radio station. The On/Off-key turns off the zone (short key press) or the whole DAM system (long key press). The second function can be disabled. The DAM IR’s film keypad measures 50 x 50 mm and fits almost all standard switch boxes using adapter frames available from any electrical wholesalers. The DAM IR also comes with a headphone amplifier which can be connected to the optional socket for headphones DAM-HP.



Technical Data	DAM V3 IR
Audio Output	Stereo headphone (backside screw socket)
Other Connections/Interfaces	Interface to DAM V3 LS
Power Requirements	9 VDC supplied from von DAM V3 LS
Material	Membrane keypad 50 x 50mm, diecast aluminum
Colour	white, grey
Accessories	Headphone Module DAM V3 HP

DAM V3 HP

Socket for headphones. The loudspeakers in this zone are switched to silent when headphones are plugged in (6.3 mm stereo jack). Connection via DAM combined IR keypad. The DAM HP comes with a 50 mm printed centre plate in pure matt white. It fits almost all standard switch boxes using an adapter frame available from any electrical wholesaler.

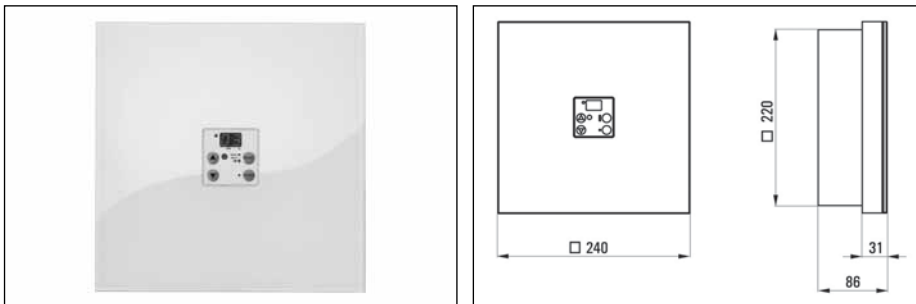


Technical Data	DAM V3 HP
Audio Output	6.3mm Stereo jack (switched)
Material	Plastic cover 50 x 50 mm
Colour	white

DAM V3 CL

Compact all-in-one solution for adding an additional zone to the DAM system or to upgrade existing structured cabling systems in buildings. The DAM CL only requires 230V AC and an RJ45 connection to the DAM network. It brings together the following zone components DAM LS stereo module, DAM combined IR keypad and power supply in a single housing suitable for wall-mounting and matches the visual appearance and size of the design speaker M 240 with surface-mounted housing.

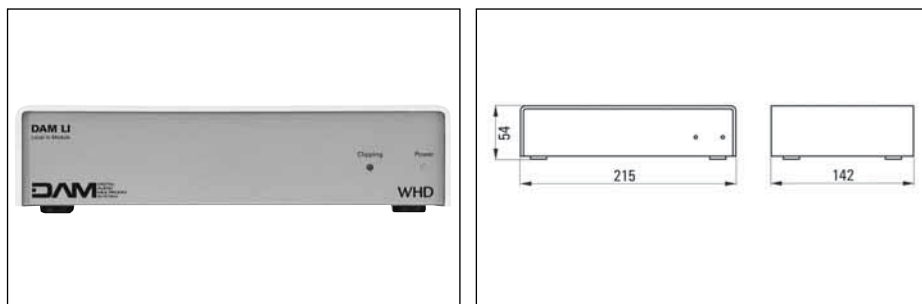
The DAM CL comes with a de-lux green glass cover and a DAM IR combined IR keypad.



Technical Data	DAM V3 CL
Audio Output	Stereo speaker level output
Output Power	2 x 20 W/8 Ohm
Other Connections/Interfaces	Audio network in/out
Power Requirements	110-250 VAC, 50/60 Hz
Material	Case: metal, frame: glass
Colour	Case: white, frame glass mint

DAM V3 LI

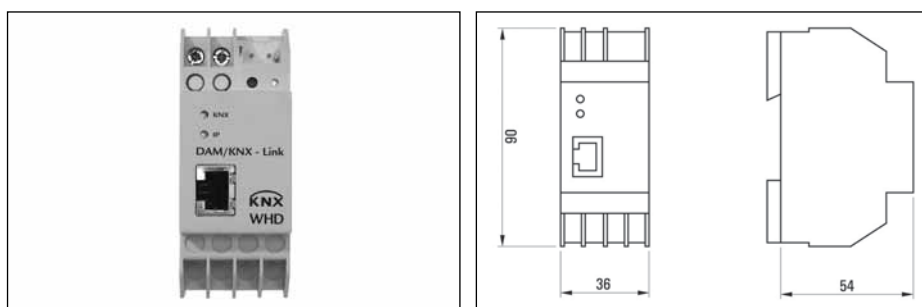
Local Input module for connecting a line source or a microphone to feed an audio signal into the system from any point of the DAM audio network. Changeover switch for LINE/MIC and separate gain controls with clipping LED. The IR output can be used to control the connected source remotely from all zones. CAT 5 In/Out sockets for the DAM audio network loop the digital signal to the following DAM module. A switch input enables the audio signal connected to the DAM LI to be activated at all speaker modules in the network. This enables the system to function as a public address system, e.g. from an ELA system or a microphone connected directly. Up to 127 DAM LI modules can be connected up to a network, for of which can be activated at any one time. DAM system addresses are assigned by DIP switches.



Technical Data	DAM V3 LI
Audio Input	Microphone (XLR), line stereo (RCA)
Audio Output	DAM Audio-Network
Other Connections/Interfaces	Trigger input, IR port
Power Requirements	24 VDC (Plug top power supply included)
Material	Case: metal, cover: plastic
Colour	Case: silver, cover: white

DAM V3 KNX Link

KNX-certified and IP-addressable interface for DAM control using KNX. The DAM-KNX link allows up to 10 DAM zones to be controlled using standard KNX keypad sensors. A second KNX link can be used to control up to 20 DAM zones. RJ 45 connection for connecting main unit DAM 6000. The following functions can be carried out using KNX sensors: (a selection) Zone On/Off, volume, source selection, mute, tone control, zone broadcast and priority override, control connected sources via IR. Feedback objects: e.g. On/Off, volume, source, IR commands,...

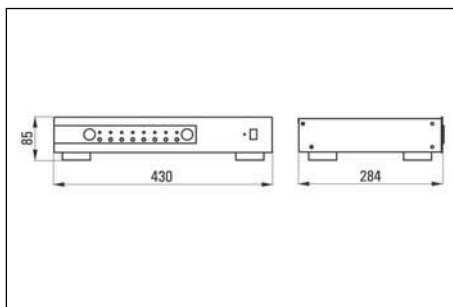


Technical Data	DAM V3 KNX Link
Connection to KNX	TP (Twisted Pair)
Other Connections/Interfaces	RJ 45 DAM IP control (Ethernet)
Power Requirements	24 VDC
Material	2 REG DIN rail mount, plastic
Colour	grey

KNX is the global standard for modern building and house automation. When using the KNX audio system, you select the audio source you require via KNX keypad sensors or touchpanels and can control both volume and sound characteristics either separately in each room or centrally. The audio sources from your stereo system are connected with the 8-channel preamplifier PREAMP 800 which amplifies these audio signals so as to ensure an audio quality free of interference, even across the long distances in the distribution boxes to the audio actuator AM 840. Multiple power amplifiers of type AMP 10 DC or AMP 250 can be connected to the 4 zone outputs on an AM 840. The AM 840 is easy to chain when other zones are required. This enables the KNX audio system to be scaled freely to the needs of the homeowner with respect to the number of speakers per room and the number of rooms required. The power amplifiers are mounted centrally on the top-hat rail together with the AM 840, although they can also find room in a distributed system in sub-distributed boards or flush-mounted boxes. Various types of speaker are also offered with built-in power amplifiers. Connecting a microphone to a PREAMP 800 will even enable you to send announcements to any zone of your choice. For information about the structure of the system, please see the Technical Annex at the back of the catalogue.

Preamp 800

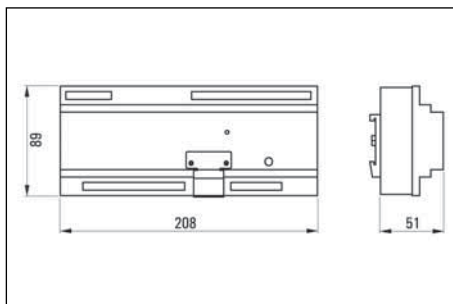
This 8-channel preamplifier PREAMP 800 with identical format to standard commercially-available Hi-Fi devices amplifies the signals of up to 4 stereo or up to 8 mono sources (CD, DVD, radio...), enabling them to be carried across longer lengths of cable without interference. A microphone or a sound source can be connected to channel 8 as you require. Behind the cover on the front, there is a control and LED (for sensitivity adjustment) per input channel. This allows you to balance the volume levels from different sound sources to avoid jumps in volume when switching sources. 19" bracket for rack mounting and mains power supply included in the delivery. A single channel preamplifier for flush boxes is also available (please refer to the chapter on Audio electronics for flush boxes).



Technical Data	Preamp 800
Audio Inputs	Ch. 1-7 line (Stereo-RCA), Ch. 8 line or microphone (Stereo RCA/screw socket)
Audio Outputs	8 x mono or 4 x stereo (screw socket)
Other connections/interfaces	Selector mic/line (ch 8), mute-circuit (to AM 840)
Power Requirements	24 VDC (Plug top power supply included)
Material	Case: metal
Colour	silver, black

AM 840

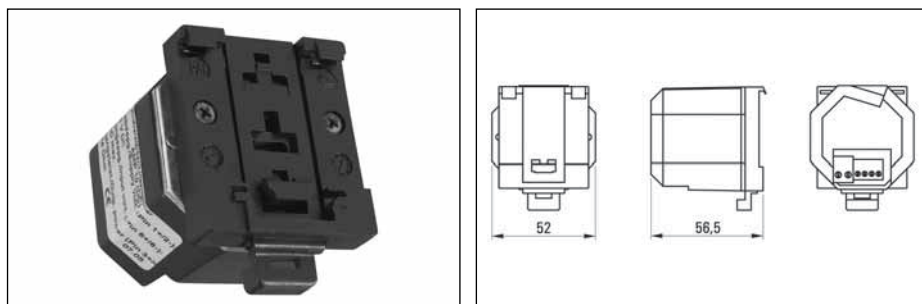
The KNX audio actuator AM 840 distributes the signals from the connected sources (stereo: 4, mono: 8). Functions which can be carried out using KNX sensors: Zone On/Off, volume, source selection, mute, tone control, zone broadcast and priority override (with attention signal/pre-gong). Feedback objects: Amplifier On/Off, volume, source. When using more than 2 stereo or 4 mono zones, several audio actuators can be chained. Setting parameters with ETS. Power supply: 24 V DC via a separate power supply, size of power supply depends on number of power amplifiers connected. Housing for mounting on top-hat rail in REG format, 208 mm wide. Product database: Download from www.whd.de.



Technical Data	AM 840
Audio Input	8 x mono or 4 x stereo (screw socket)
Audio Output	4 zone mono or 2 zone stereo (screw socket)
Other Connections/Interfaces	24 VDC In (max. 16 A total) control voltage out 4x 0-10 VDC, supply voltage out 4x 24VDC (max. 10A per zone), D-SUB socket (audio loop-through)
Power Requirements	24 VDC
Consumption	0.180 A (without amplifiers)
Material	12 REG DIN rail mount metal case
Colour	silver
Accessories	D SUB AM 840 interconnect/loop-through audio cable

AMP 10 DC HS

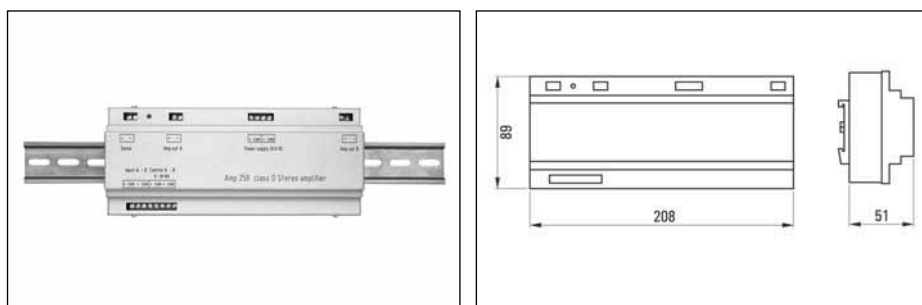
The power amplifier AMP 10 DC HS suitable for top-hat rail mounting offers enough power at 10 Watts for wall-mounted or recessed ceiling speakers. Either one 4 Ohm-, two 8-Ohm- or up to 5x 20 Ohm speakers can be connected in parallel. The AM 840 audio actuator provides the power supply and control. A power amplifier with built-in potentiometer is also available (AMP 10...UP see the chapter on Audio electronics). It is simply connected up in parallel to the standard AMP 10 DC on one of four AM 840 zone outputs, thus allowing for operation in a 5th room. When the „Master“ zone is activated, the music signal will also be made available to the subzone; its volume can be controlled via the built-in potentiometer or switched off separately. Speakers with built-in amps are also available.



Technical Data	AMP 10 DC HS
Audio Input	5 VAC oder 0.7 VAC (0dB) (selectable)
Audio Output	Speaker level
Other Connections/Interfaces	Control voltage 0-10VDC
Power Output	10 W/4 Ohm
Power Requirements	24 VDC
Max. current	0.8 A
Material	DIN rail mount (3U), diecast aluminum
Colour	black
Accessories	Power Supply PS 24/1.5

AMP 250

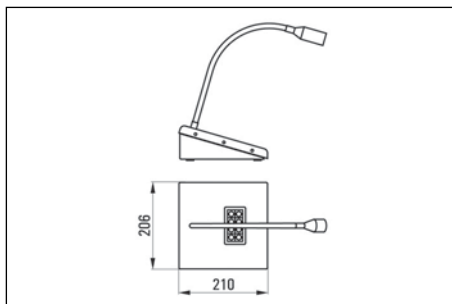
Powerful stereo audio amplifier for top-hat rail mounting. The metal housing which has been prepared for top-hat rail assembly houses 2 amplifiers with a total output of 100 W (2 x 50 W) in just 12 device widths. The amplifiers have Class D technology – the very latest technology with the best levels of efficiency with low thermal loads. The built-in, switchable loudness function optimises the sound output which means the amplifier sounds just as good at all volumes. Input sensitivity can be switched from 5V (Preamp UP/Preamp 800) to 0dB (line level). This means the device can also be used in direct combination with standard audio components.



Technical Data	AMP 250
Audio Input	5 VAC or 0,7 VAC (0dB) A/B or stereo
Audio Output	Speaker level A/B or stereo
Other connections/interfaces	2x control coltage 0-10VDC, sense input,
Power Output	2 x 50W/8Ohm
Power Requirements	24 VDC
Consumption	5 A
Material	12 REG DIN rail mount metal case
Colours	silver
Accessories	Power supply PS 24/5

MIC 800

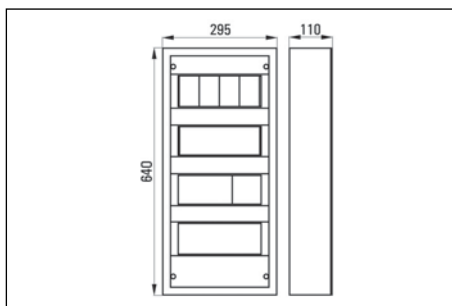
KNX-controlled paging desk with preamplifier and goose-neck microphone for use with the WHD KNX audio actuator. The MIC 800 enables announcements to be sent to specific zones (zone paging) – or to all zones (priority override). It comprises a table-top housing and a separate flush-mounted insert with 8x KNX key interface. Both units are connected via the SUB D cable included in the delivery. The MIC 800 is connected directly to the KNX-audio actuator AM 840. A microphone is also available matching all common switch boxes with relay output for controlling a KNX binary interface (Mic UP, see the chapter on Audio electronics).



Technical Data	MIC 800
Audio Output	Line level
Other connections/interfaces	SUB-D connector (system wiring to wall mount unit), KNX-Interface (TP)
Power Requirements	24 VDC
Material	Mic base: metal/plastic, wall mount unit: 50 x 50 mm plastic cover plate
Colour	Mic base: black, cover plate: matt white

KP 800

Fully pre-wired KNX audio system for 4 rooms in surface-mounted distribution box. Simple wiring on the customer-side using REG terminals for mains, pre-amp, speaker connections and bus supply. Easy to commission. The preamplifier Preamp 800 is also included in the delivery.

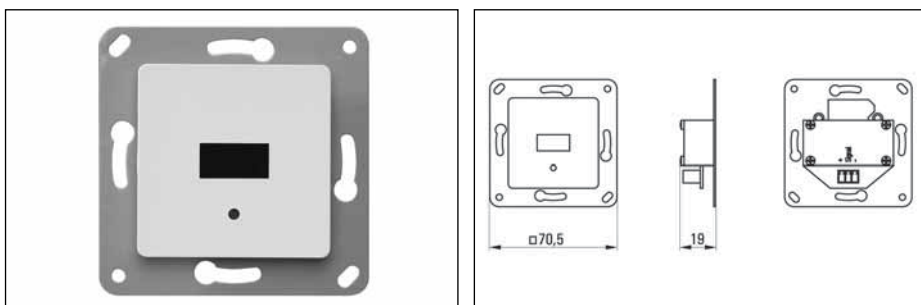


Technical Data	KP 800
Audio Input	8 x mono or 4 x stereo
Audio Output	4 zone mono or 2 zone stereo
Other connections/interfaces	8-ch-audio input, KNX (TP), 230V Input, 4 loudspeaker (zone-) output. WAGO rail mount terminal blocks
Amplifier power	4 x 10 W
Power Requirements	230 VAC
Case	Wall-mounted sub-distribution cabinet, plastic
Colour	white
Accessories	Microphone base MIC 800 (tabletop), MIC UP (flushmount)

Cable-based system for permanent installation for the remote control of Hi-Fi systems in homes from different rooms, comprising up to 7 receivers (6 x distributed, 1 x local), a cable outlet and the transmitter electronics. The transmitter is connected with the IR transmitter diodes affixed to the amplifiers or sound sources. For information about the structure of the system, please see the Technical Annex at the back of the catalogue.

IR-Target

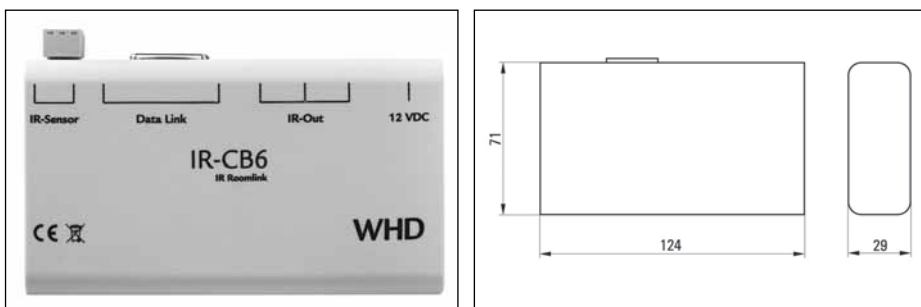
Infrared receiver for connection to the Roomlink Infrared driver electronics unit. Comes with a 50 x 50 mm front plate in pure matt white. The IR Target fits all commonly available switch boxes using adapter frames from electrical wholesalers. One receiver is needed for each room.



Technical Data	IR-Target
Power Requirements	From IR-CBC6
Material	Cover plate 50 x 50 mm: plastic
Colour	matt white

IR-CBC 6

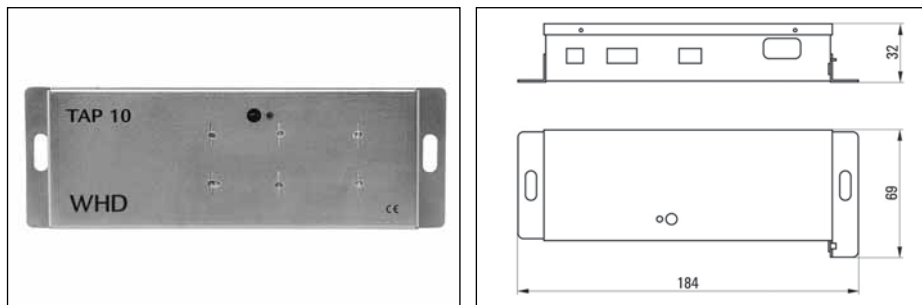
Transmitter with driver electronic unit, separate cable outlet insert, mains power supply and 3 double transmitter diodes for 6 sources. The cable outlet insert comes with a 50 x 50 mm front plate in pure matt white. It fits all commonly available switch boxes using adapter frames from electrical wholesalers. One of these sets is needed per system. (Drawing and picture only of IR-CB 6).



Technical Data	IR-CBC 6
Other Connections/Interfaces	SUB-D connector for system wiring to wall mount unit, local IR receiver input, 3 IR-emitter ports
Power Requirements	12 VDC (Plug top power supply included)
Material	Tabletop case: plastic, wall mount unit: plastic cover plate 50 x 50 mm
Colour	Tabletop case grey, cover plate matt white
Accessories	Universal IR Touchscreen Remote Control TP6000

TAP 10

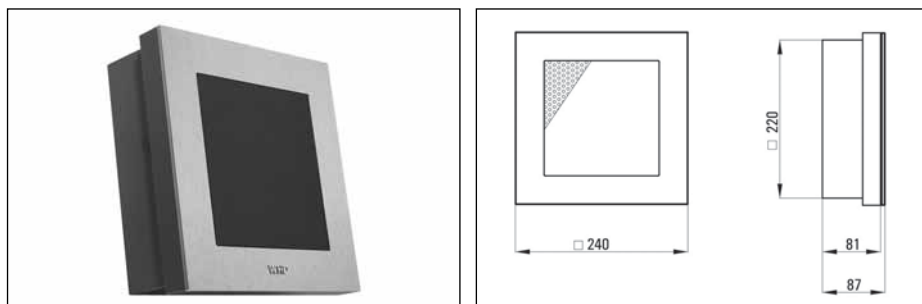
Remote control radio with amplifier and built-in power supply in an extremely flat housing, e.g. for kitchens, bathrooms, hairdressing salons, doctor's surgeries, ... Operated via the supplied IR remote control. An offset Infrared receiver included in delivery ensures fully-concealed installation. Can be connected to house- or wire aerials. One 4 Ohm, two 8 Ohm, or up to 5 20 Ohm speakers can be connected. For information about the structure of the system, please see the Technical Annex at the back of the catalogue.



Technical Data	TAP 10
Audio Output	2 speaker level outputs
Other Connections/Interfaces	75 Ohm coax aerial connection, external IR receiver
Power Output	6 W
Power Requirements	230 VAC / 50 Hz
Material	Case: metal
Colour	silver

M 240 Radio

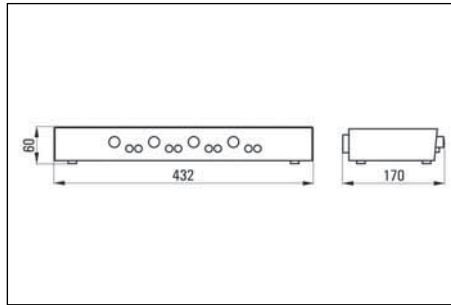
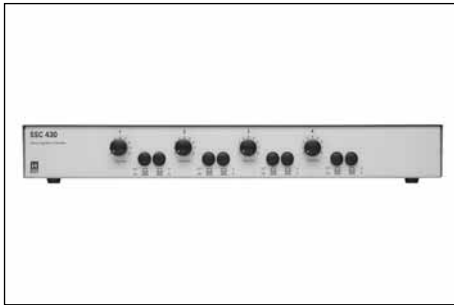
The M 240 Radio is based on the hi-fi loudspeaker technology of the designer loudspeaker M 240, which has been awarded the innovation prize for architecture and technology. The M 240 Radio is the ideal sound system for kitchens, bathrooms, doctors' practices and hair salons... The powerful tuner has good reception, even with the most basic indoor aerial. And the quality of the reception can be improved again by connecting the radio to an external aerial. The table-top radio is remote-controllable via infrared. Via the AUX input at the back, it can be used as an active loudspeaker for portable music sources like iPod* or PC/laptop. The 12 VDC power supply makes the use of the M 240 Radio safe in any bathroom. The appearance of the M 240 Radio can be personalised according to your own taste. We can deliver a wide range of frames made of high-quality materials like glass, stainless steel, Wenge wood or gypsum. The grille and the housing are available in white or anthracite.



Technical Data	M 240 Radio
Audio Input	AUX: 3.5mm stereo jack, switched
FM Tuner	87.5 - 108 MHz
Other Connections/Interfaces	75 Ohm coax aerial input
Output Power	2 W
Power Requirements	12 VDC (Plug top power supply included)
Material	Case plastic, frames glass, stainless steel, wood or gypsum
Colour	Frame: white-, mint-, black-glass, stainless steel brushed or polished, gypsum, wenge wood

SSC 430

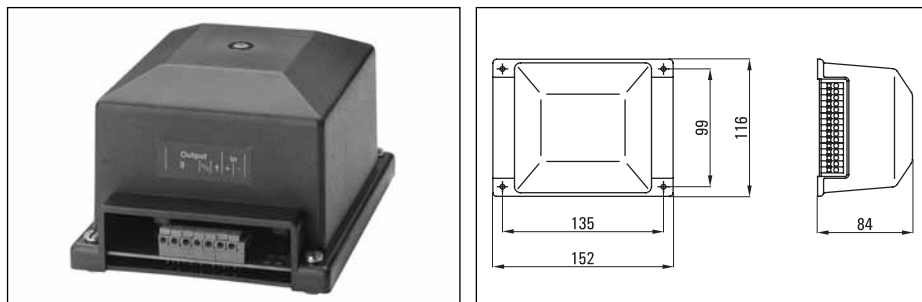
The SSC 430 is placed within the Hi-Fi system and can provide stereo sound to 4 rooms. Suitable for homes, restaurants, ... Passive device for connection to speaker outputs on an amplifier or receiver. High operating stability with impedance correction for standard, commercially-available Hi-Fi speakers (not a 100V system!). Connecting a second amplifier allows you to switch between two sound sources. The features of each of the four zones can be controlled independently and centrally from the SSC 430: Volume, On/Off, source A/B. For information about the structure of the system, please see the Technical Annex at the back of the catalogue.



Technical Data	SSC 430
Audio Input	2 x speaker level stereo inputs (amplifier A/B)
Audio Output	4 x speaker level stereo outputs (zone 1...4)
Power Handling	4 x 30 W stereo
Recommended Amplifier Power	50 - 120 W/ch.
Material	Case: metal
Colour	black, silver
Accessories	IR-Roomlink System

NVÜ 100

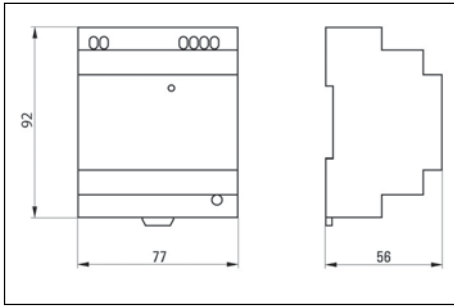
Low-voltage transformer for impedance correction to run multiple low-impedance single speakers using standard, commercially-available Hi-Fi amplifier electronic units. Various tappings are available for performance adjustment purposes, for example to set different volumes for different groups of speakers. Two NVÜ 100s are required for stereo operation. The NVÜ 100 can be combined with the low-impedance WHD volume control for individual volume control per room (refer to the chapter on Audio electronics for switch boxes). For information about the structure of the system, please see the Technical Annex at the back of the catalogue.



Technical Data	NVÜ 100
Audio Input	1 speaker level input
Audio Output	Speaker level output taps from 1/1 to 1/50 to match with number of speakers
Speaker handling	4 Ohm: up to 50, 8 Ohm: up to 100.
Power handling	100 W
Case	plastic housing
Colour	black
Accessories	Volume control LR 15 mono/stereo, LR 20

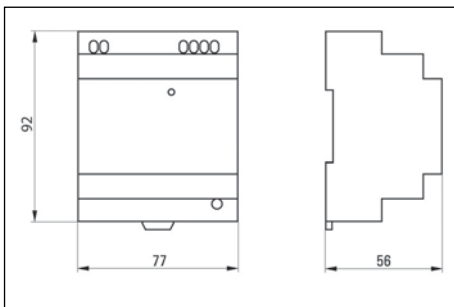
PS 24/1,5

Switched power supply selected by WHD for top-hat rail assembly, stabilised, with short-circuit protection, can be switched in parallel. Suitable for 1x amplifier AMP 10 DC.



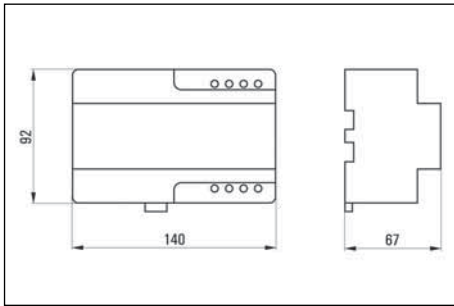
PS 24/2,5

Switched power supply selected by WHD for top-hat rail assembly, stabilised, with short-circuit protection, can be switched in parallel. Suitable for 3x amplifiers AMP 10 DC or 1x DAM LS stereo.



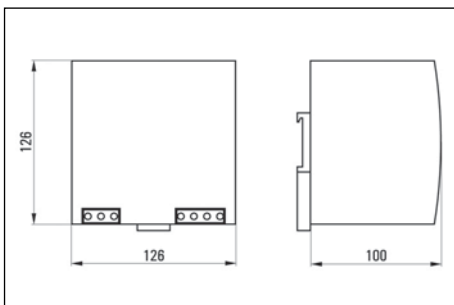
PS 24/5

Switched power supply selected by WHD for top-hat rail assembly, stabilised, with short-circuit protection, can be switched in parallel. Suitable for 6x amplifiers AMP 10 DC or 2x DAM LS stereos.



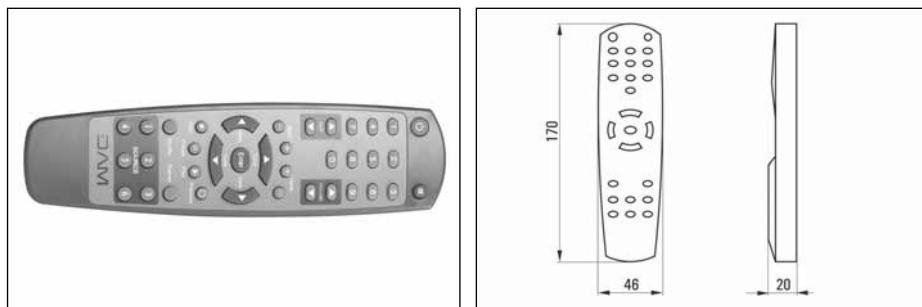
PS 24/10

Switched power supply selected by WHD for top-hat rail assembly, stabilised, with short-circuit protection, can be switched in parallel. Suitable for 12x amplifiers AMP 10 DC or 4x DAM LS stereos.



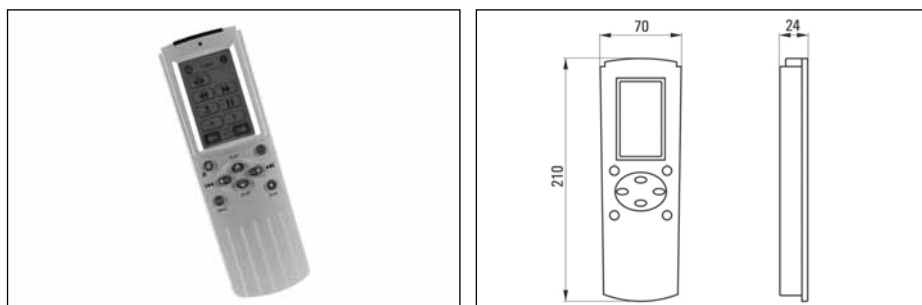
DAM V3 RC 6000

Value-for-money Infrared remote control for the DAM system with all important functions including source control. Each main unit DAM 6000 includes a remote control RC 6000.



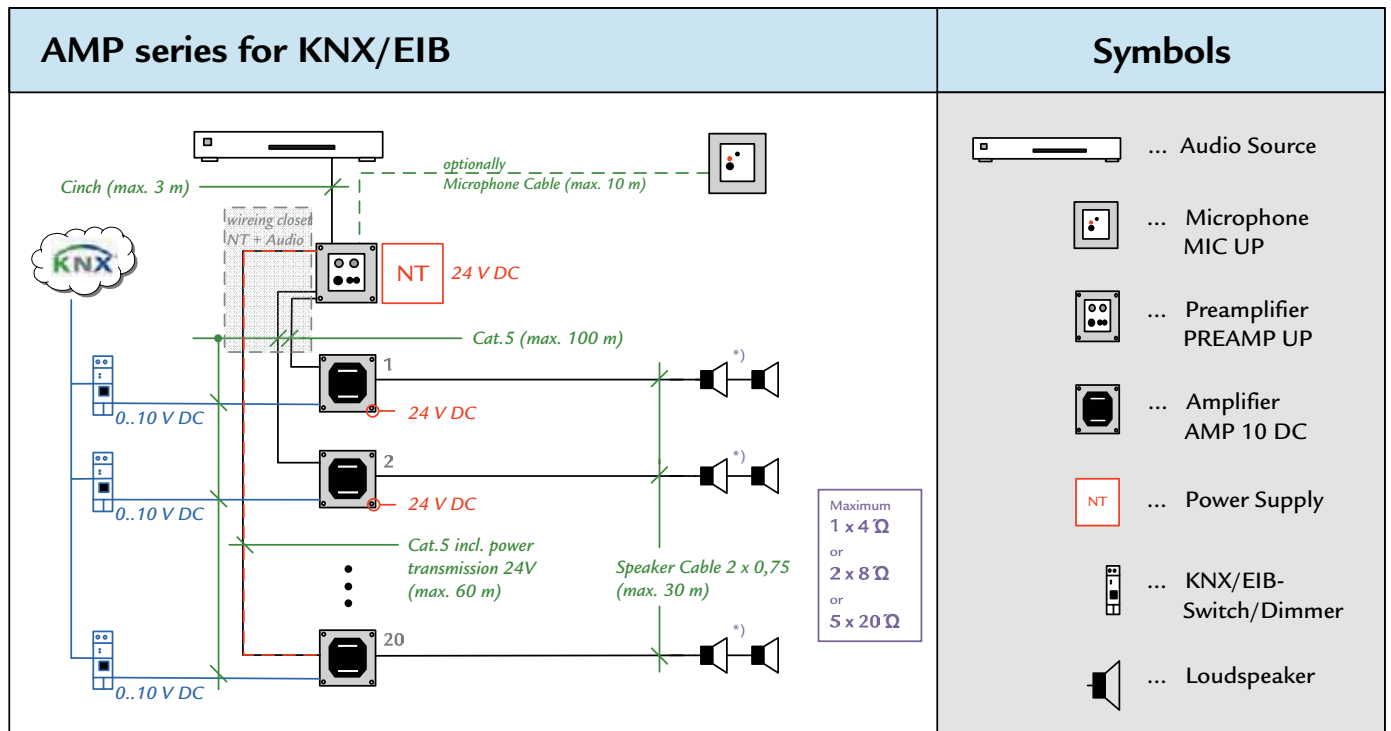
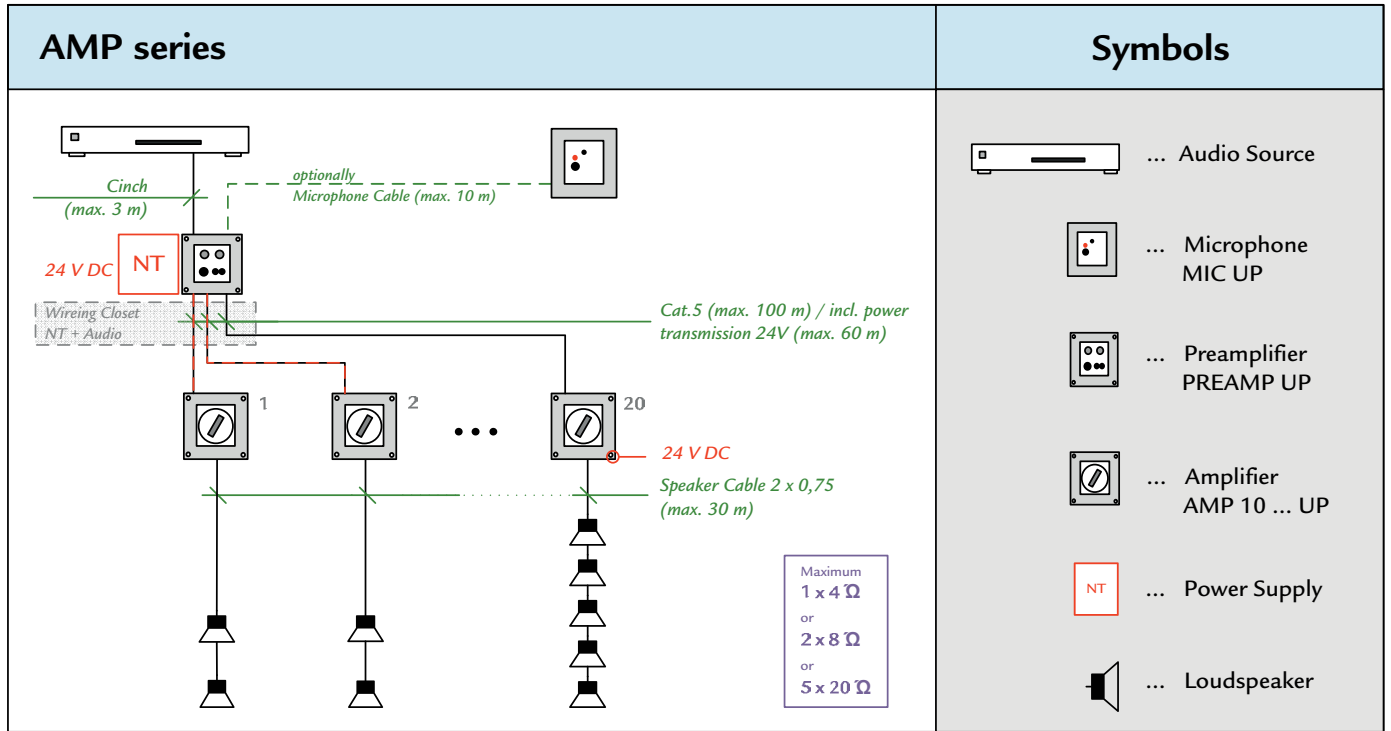
DAM V3 TP 6000

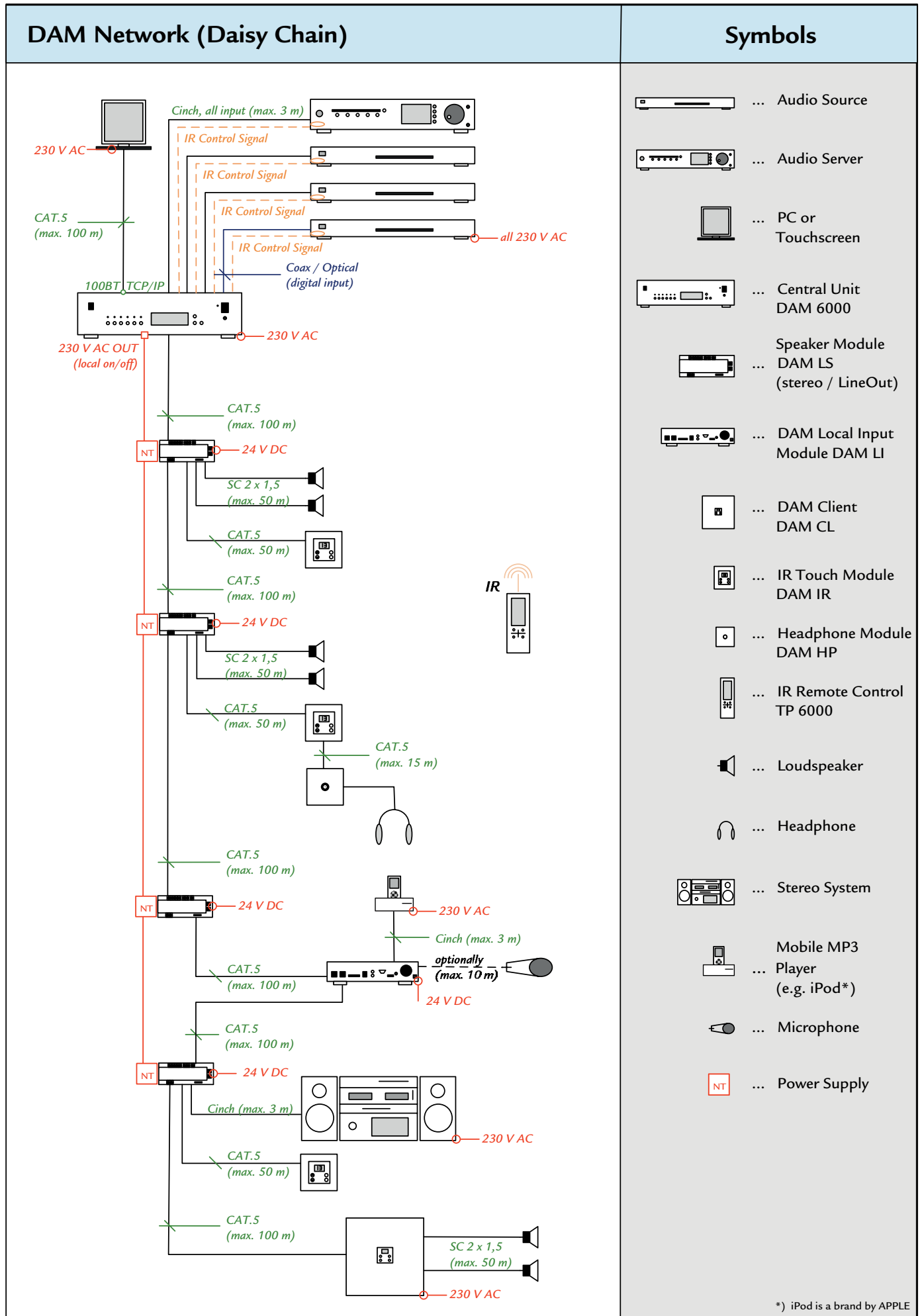
Elegant universal touchpanel remote control with back-lit LCD display, pre-programmed for controlling DAM 6000s and connected sources. Can control up to 63 other infrared remote control-enabled units such as TVs or IR-remote control KNX keypad sensors. Key functions and labels are easy to edit using a PC; can also learn IR commands from other remote controls. PC Link cable (USB), a table-top stand with charger station/power supply and 3 xNiMH batteries are included in the delivery.



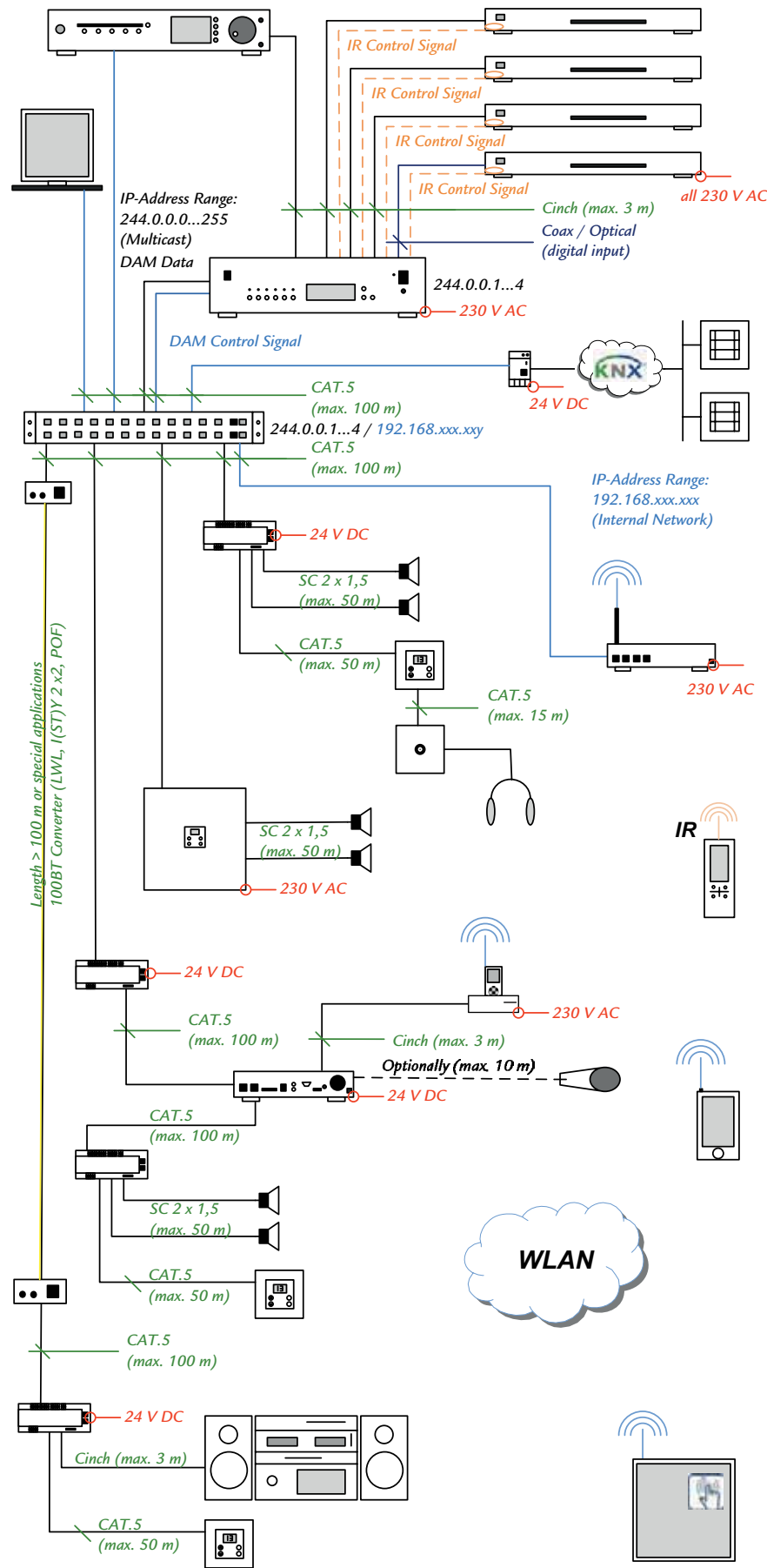
SUB D AM 840

When more than 4 mono (or 2 stereo) zones are needed, at least one other audio actuator AM 840 will have to be used. The AM 840 provides two SUB-D sockets for looping the audio inputs. A suitable SUB-D cable, 0.5m in length is available as an accessory. Without illustration.


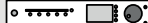


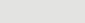


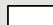








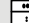
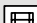


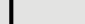






Ethernet Network



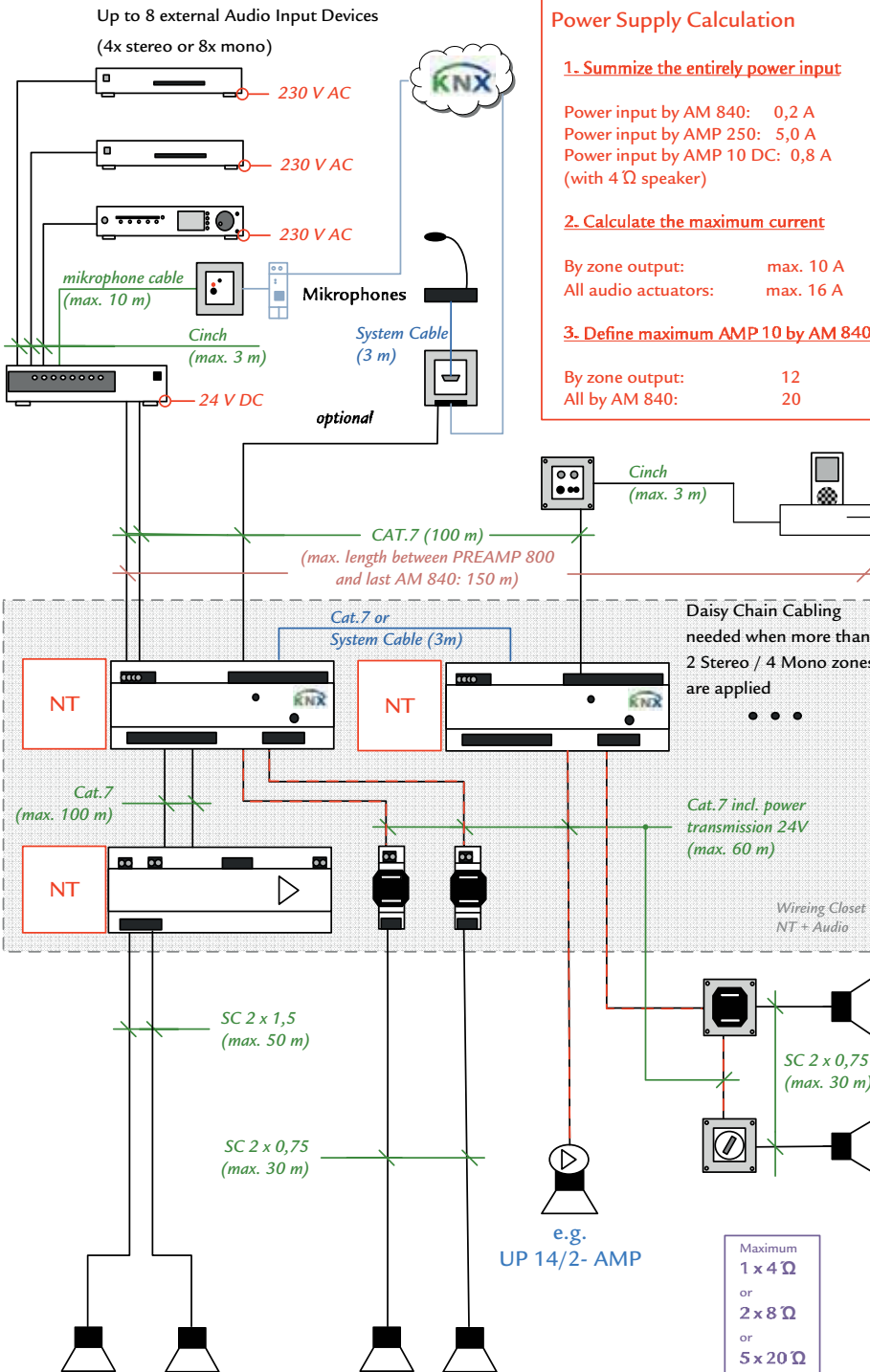
Symbols

-  ... Audio Source
-  ... Audio Server
-  ... PC or Touchscreen
-  ... Central Unit DAM 6000
-  ... Speaker Module
-  ... DAM LS (stereo / LineOut)
-  ... DAM Local Input Module DAM LI
-  ... DAM Client DAM CL
-  ... IR Touch Module DAM IR
-  ... Headphone Module DAM HP
-  ... IR Remote Control TP 6000
-  ... Loudspeaker
-  ... Headphone
-  ... Stereo System
-  ... Mobile MP3 Player e.g. iPod
-  ... Microphone
-  ... DAM KNX LINK Gateway
-  ... KNX Switchplate
-  ... Media Converter e.g. LWL, POF, Line 21 by Rutenbeck
-  ... Ethernet Switch n x 100BaseT, managed
-  ... WLAN Access Point
-  ... PDA
-  ... Touch Screen Terminal

*) iPod is a brand by APPLE

KNX/EIB Audio

Symbols



Power Supply Calculation

1. Summize the entirely power input


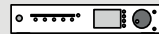
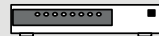













Power input by AM 840: 0,2 A
 Power input by AMP 250: 5,0 A
 Power input by AMP 10 DC: 0,8 A (with 4 Ω speaker)

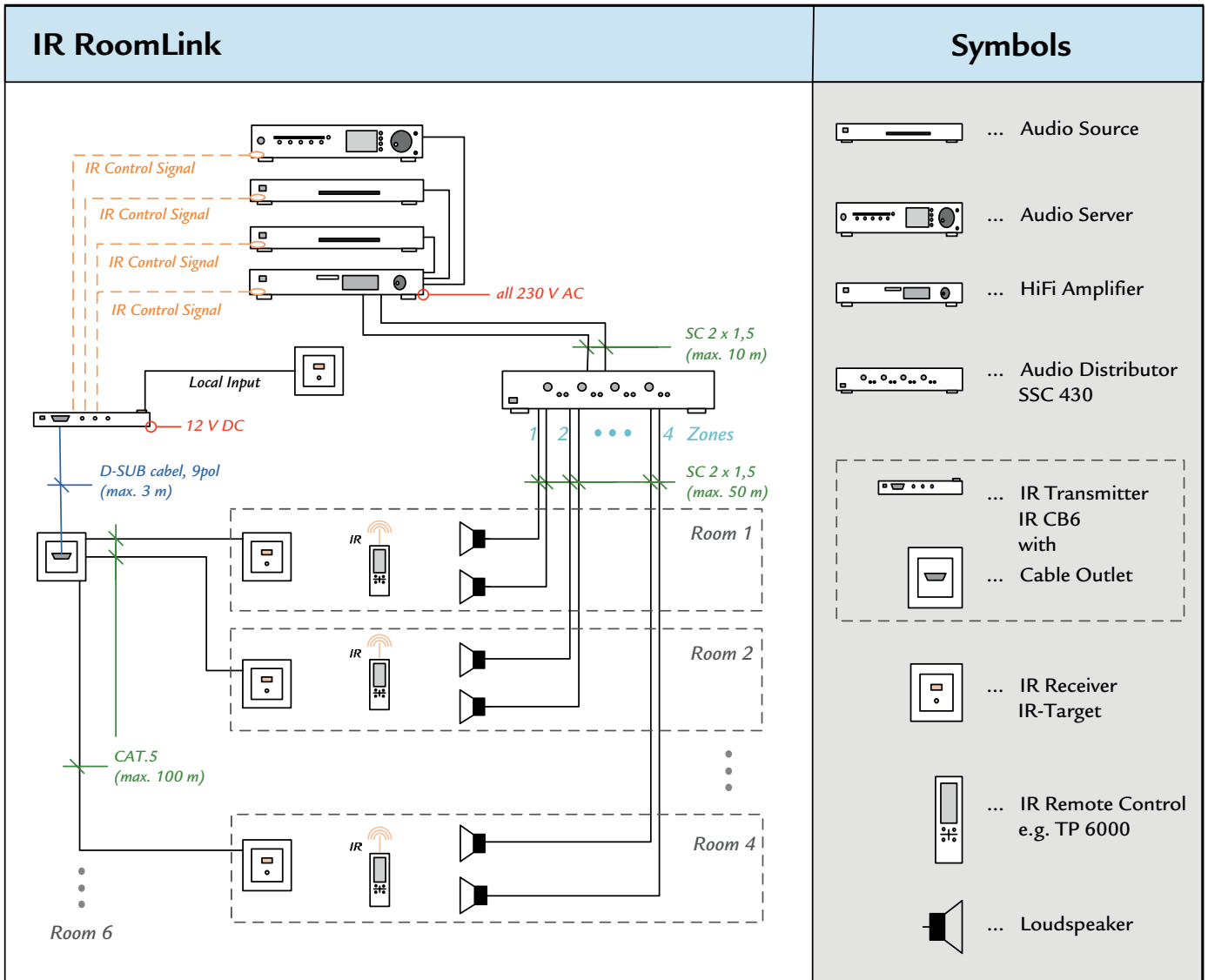
2. Calculate the maximum current

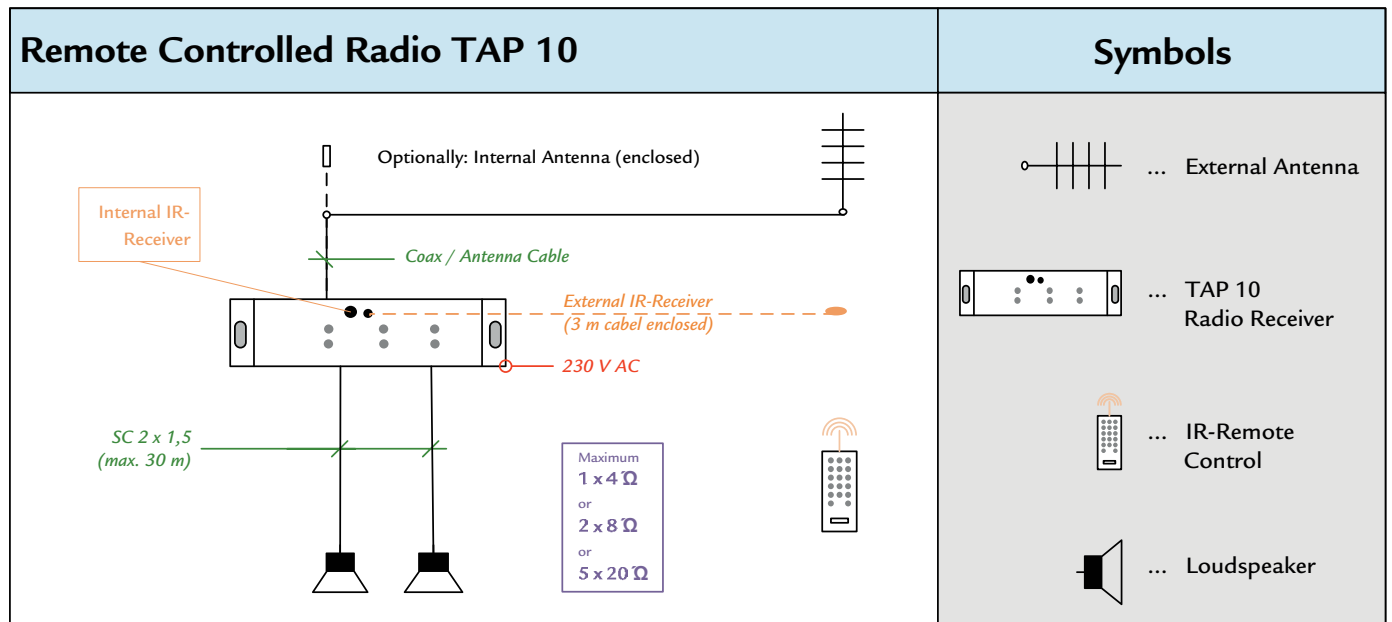
By zone output: max. 10 A
 All audio actuators: max. 16 A

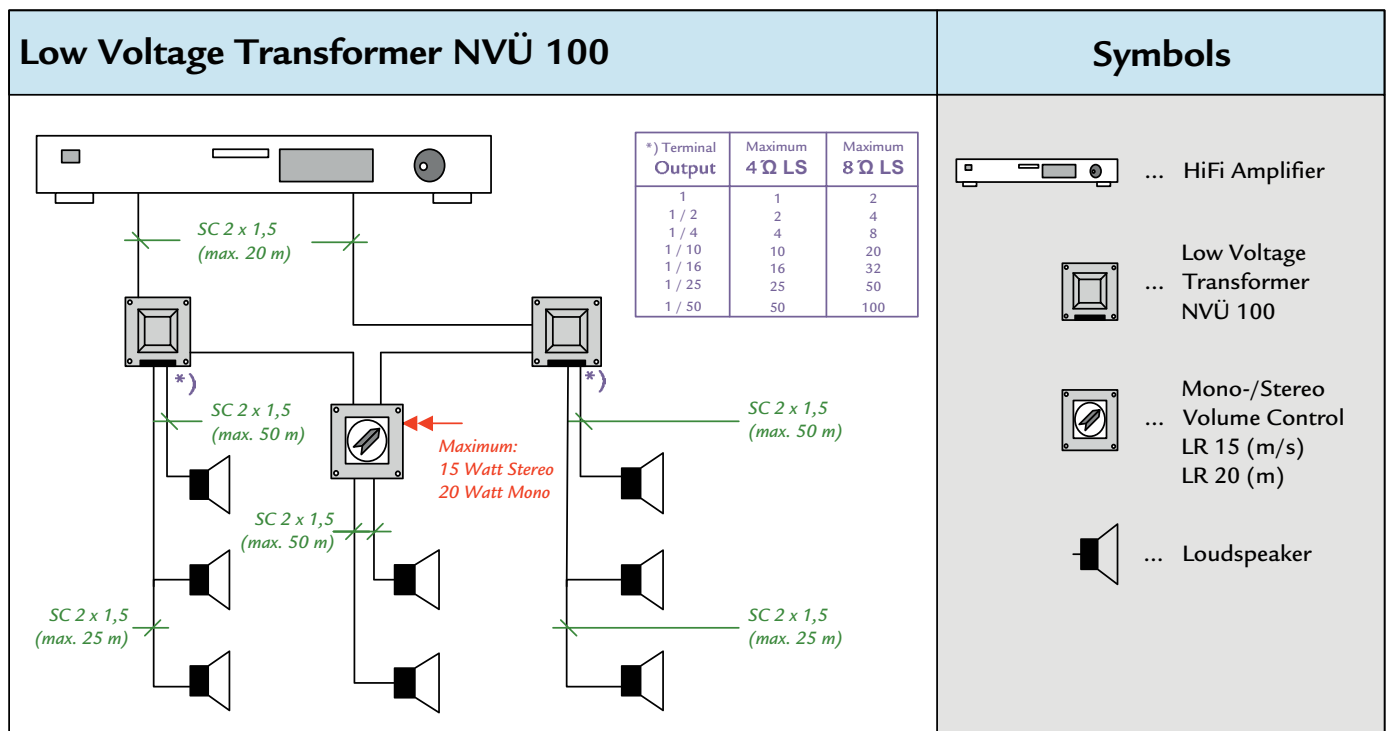
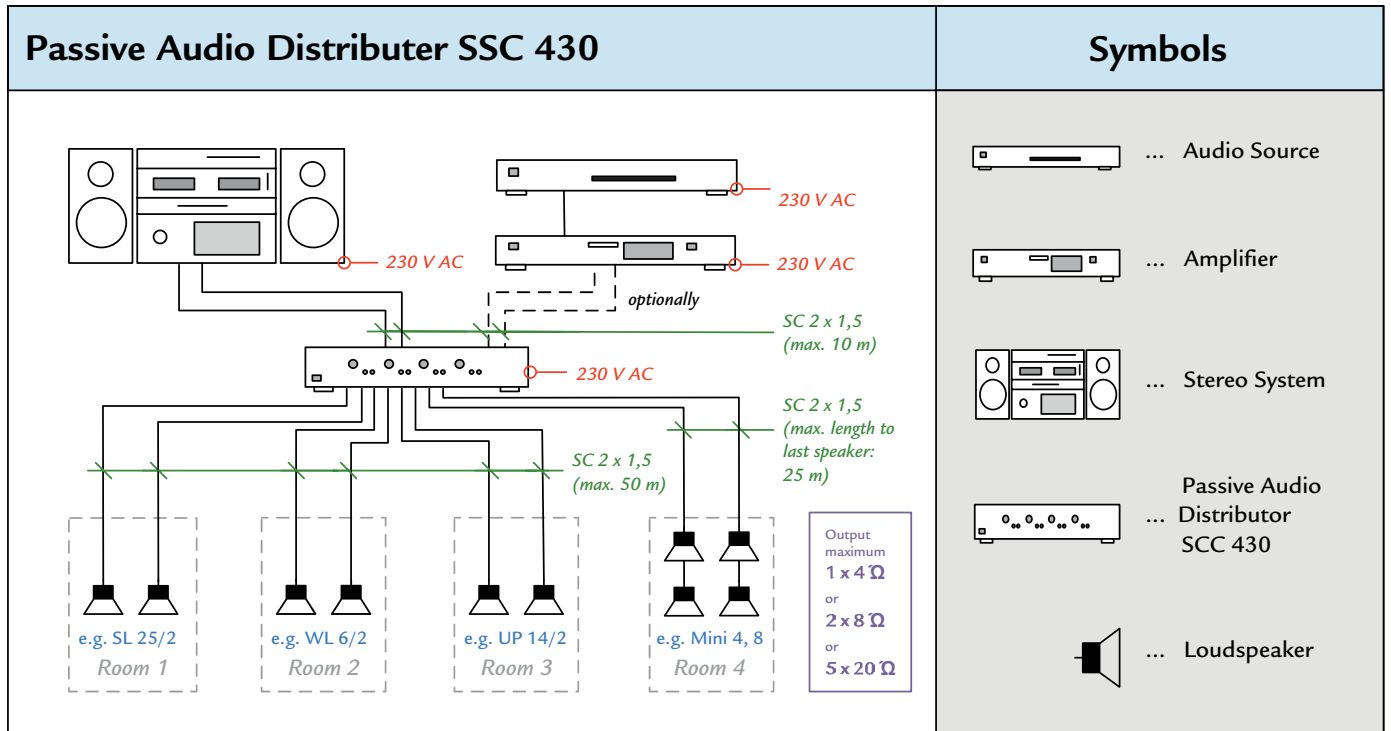
3. Define maximum AMP 10 by AM 840

By zone output: 12
 All by AM 840: 20

-  ... Audio Source
-  ... Audio Server
-  ... Preamplifier PREAMP 800
-  ... Mobile MP3 Player e.g. iPod
-  ... Preamplifier PREAMP UP
-  ... Audio Actuator AM 840
-  ... Stereo Amplifier AMP 250
-  ... Amplifier for In-wall assembly AMP 10 DC UP
-  ... Amplifier for DIN rail mount AMP 10 DC HS
-  ... KNX/EIB Binary Input
-  ... Amplifier with potentiometer AMP 10 ... UP
-  ... Power Supply Subzone
-  ... Loudspeaker
-  ... with Amplifier
-  ... Microphone MIC UP
-  ... Microphone Speaker Unit MIC 800 with In-wall assembly







MULTI-ROOM SYSTEMS