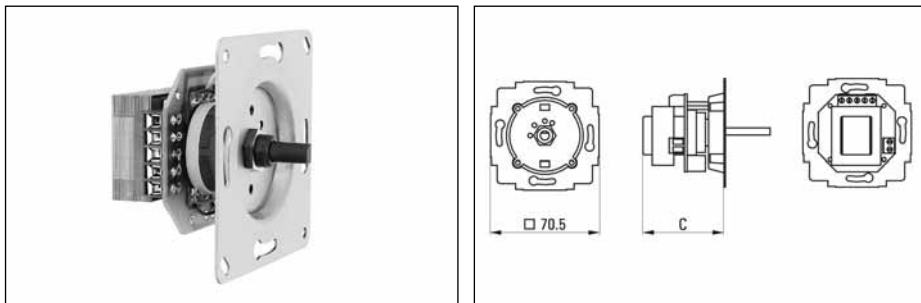


100V-volume control fitting to switch boxes

LST 6 ... UP, LST 50 ... UP

100V volume control, suitable e.g. for offices, restaurants, shops, etc... The LST 6 and LST 50 come with a rotary dial without limit stop and auto-transformer. Also available with an optional mandatory relay. The metal support plate is screwed onto a standard flush-mounted box 63 mm in depth. It comes pre-configured for Venetian blind cover plates with rotary dial for the particular switch program. These parts can be obtained from any electrical wholesaler. For exact order information according to the switch program please refer to the table at the end of this chapter.

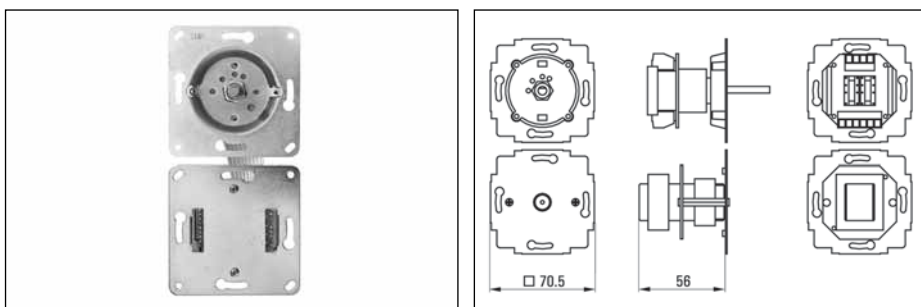


Technical Data	LST 6... UP	LST 50 ... UP
Rated Power	6 W	50 W
Mandatory Relais Voltage	24 V	24 V
Mandatory Relais Current	0.012 A	0.012 A
Depth C	49 mm	54 mm
Component Set	rotary switch without stopper, 9 volume levels, 3 off positions	rotary switch without stopper, 9 volume levels, 3 off positions
Net Weight	0.1 kg	0.18 kg
Colors similar	depending on switch program	depending on switch program
Accessories		

100V-volume control fitting to switch boxes

LST 50 AB ... UP

100V volume control suitable for controlling two speaker circuits (AB cabling), e.g. in offices, department stores, ... The LST 50 AB comes with a rotary dial without limit stop and two 25W auto-transformers. Also available with an optional mandatory relay. The metal support plate is screwed onto two standard flush-mounted boxes 63 mm in depth. Comes pre-configured for the Venetian blind cover plate with rotary knob for the blanking plate suitable for the particular switch program. These parts can be obtained from any electrical wholesaler. For exact order information according to the switch program please refer to the table at the end of this chapter.

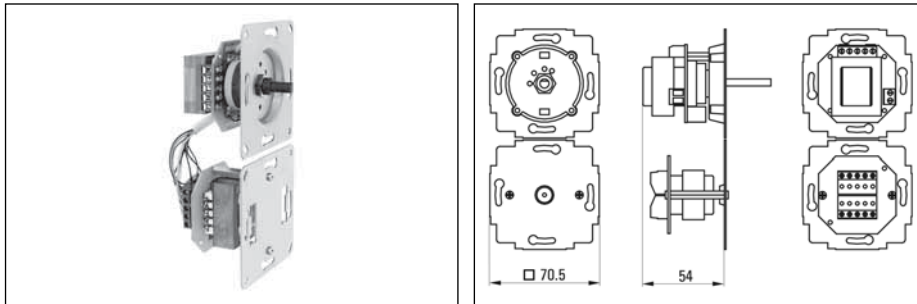


Technical Data	LST50 AB... UP
Rated Power	2x25 W
Mandatory Relais Voltage	24 V
Mandatory Relais Current	0.012 A
Depth	56 mm
Component Set	rotary switch without stopper, 11 volume levels, 1 off position
Net Weight	0.42 kg
Colors similar	depending on switch program
Accessories	

100V-volume control fitting to switch boxes

LST 100 ... UP

100V volume control, suitable for offices, restaurants, department stores,... The LST 100 comes with a rotary dial without limit stop and two 50W low-voltage transformers. Also available with an optional mandatory relay. The metal support plate is screwed onto two standard flush-mounted boxes 63 mm in depth. Comes pre-configured for the Venetian blind cover plate with rotary knob for the blanking plate suitable for the particular switch box. These parts can be obtained from any electrical wholesaler. For exact order information according to the switch box please refer to the table at the end of this chapter.

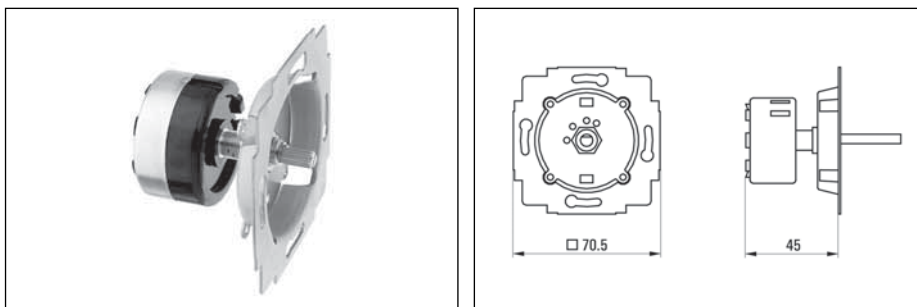


Technical Data	LST 100... UP
Rated Power	100 W
Mandatory Relais Voltage	24 V
Mandatory Relais Current	0.012 A
Depth	54 mm
Component Set	rotary switch without stopper, 9 volume levels, 3 off positions
Net Weight	0.43 kg
Colors similar	depending on switch program
Accessories	

volume control for 4-, 8-, 20 ohm speakers fitting to switch boxes

LR 15 mono ... UP

Analogue volume control, suitable for homes, doctor's surgeries, etc...The LR 15 Mono comes with a potentiometer with stopper. The metal support plate is screwed onto a standard flush-mounted box 63 mm in depth. It comes preconfigured for Venetian blind cover plates with rotary knob for the particular switch program. These parts can be obtained from any electrical wholesaler. For exact order data according to the switch program please refer to the table at the end of this chapter.

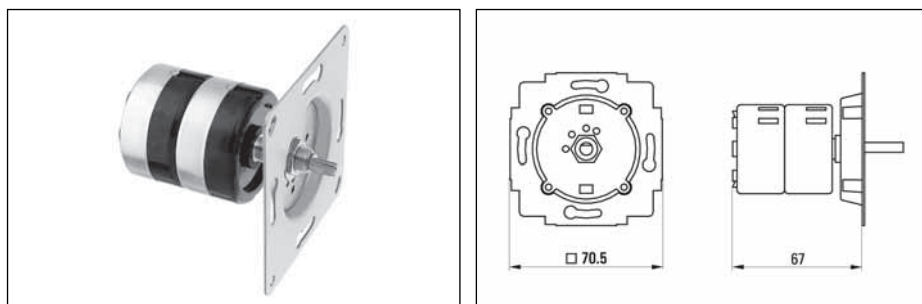


Technical Data	LR 15 mono ... UP
Rated Power	15 W
Impedance	50 Ohm
Max. Number of Loudspeakers (4 Ohm)	1 Pcs.
Max. Number of Loudspeakers (8 Ohm)	2 Pcs.
Max. Number of Loudspeakers (20 Ohm)	5 Pcs.
Depth	45 mm
Component Set	1 potentiometer with stopper, minimum level might stay when set to zero
Net Weight	0.08 kg
Colors similar	depending on switch program
Accessories	NVU 100: low voltage transformer

volume control for 4-, 8-, 20 ohm speakers fitting to switch boxes

LR 15 stereo ... UP

Analogue volume control, suitable for homes, doctor's surgeries, ...The LR 15 Stereo features two potentiometers with stoppers. The metal support plate is screwed onto a flush-mounted box. It comes preconfigured for Venetian blind cover plates with rotary knob for the particular switch program. These parts can be obtained from any electrical wholesaler. For exact order data according to the switch program please refer to the table at the end of this chapter.

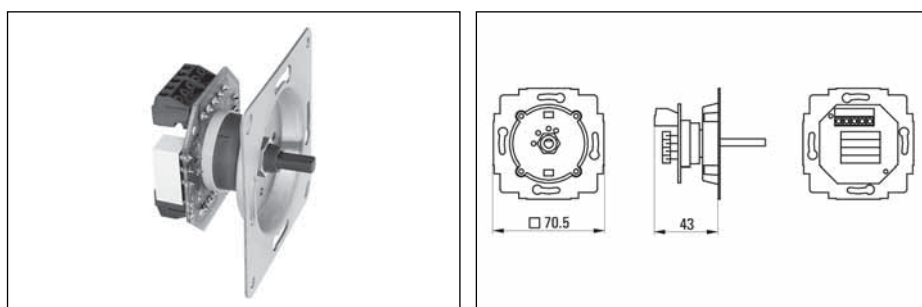


Technical Data	LR 15 stereo ... UP
Rated Power	2x15 W
Impedance	2x50 Ohm
Max. Number of Loudspeakers (4 Ohm)	2 Pcs.
Max. Number of Loudspeakers (8 Ohm)	4 Pcs.
Max. Number of Loudspeakers (20 Ohm)	10 Pcs.
Depth	67 mm
Component Set	2 Potentiometer with stopper, minimum level might stay when set to zero
Net Weight	0.11 kg
Colors similar	depending on switch program
Accessories	NVU 100: low voltage transformer

volume control for 4-, 8-, 20 ohm speakers fitting to switch boxes

LR 20 ... UP

Volume control, suitable for restaurants, hotel bathrooms....The LR 20 Mono features a rotary dial without limit stop and a resistor network. This makes it especially suitable for use in public buildings. The metal support plate is screwed onto a standard flush-mounted box 63 mm in depth. It comes preconfigured for Venetian blind cover plates with rotary knob for the particular switch box. These parts can be obtained from any electrical wholesaler. For exact order data according to the switch box please refer to the table at the end of this chapter.

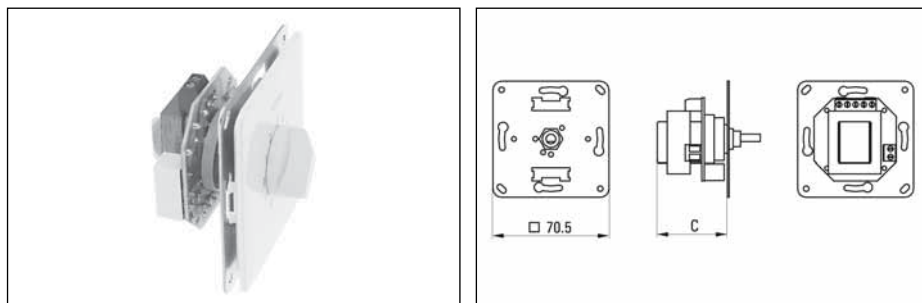


Technical Data	LR 20 mono... UP
Rated Power	20 W
Impedance	4 Ohm
Max. Number of Loudspeakers (4 Ohm)	1 Pcs.
Max. Number of Loudspeakers (8 Ohm)	2 Pcs.
Max. Number of Loudspeakers (20 Ohm)	5 Pcs.
Depth	43 mm
Component Set	resistance network, rotary switch without stopper, 9 vol. levels, 3 off positions
Net Weight	0.08 kg
Colors similar	depending on switch program
Accessories	NVU 100: low voltage transformer

100V-volume control fitting to JUNG CD 500

LST6 CD 500 UP, LST 50 CD 500 UP

100V volume control, suitable for offices, restaurants, shops, etc... The LST 6 and LST 50 CD 500 come with a rotary dial without limit stop and auto-transformer. Also available with an optional mandatory relay. The metal support plate is screwed onto a standard flush-mounted box, 42 mm (LST 6)/ 63 mm (LST 50) in depth. A printed cover plate and rotary knob in alpine white are included in the delivery. A matching 1x frame/surface-mounted housing (for LST 6 CD 500 only) in alpine white are available accessories.

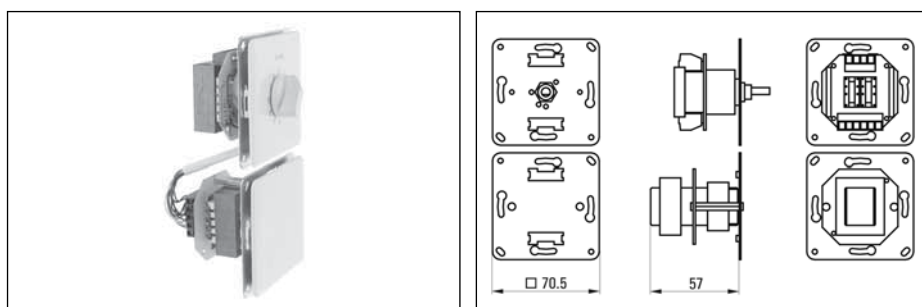


Technical Data	LST 6 CD 500 UP	LST 50 CD 500 UP
Rated Power	6 W	50 W
Mandatory Relais Voltage	24 V	24 V
Mandatory Relais Current	0.012 A	0.012 A
Depth C	39 mm	45 mm
Component Set	rotary switch without stopper, 9 volume levels, 3 off positions	rotary switch without stopper, 9 volume levels, 3 off positions
Net Weight	0.1 kg	0.18 kg
Colors similar	alpine white	alpine white
Accessories	CD 581 WW: 1x frame, CD 581 A WW: 1x surface-mounted housing	CD 581 WW: 1x frame

100V-volume control fitting to JUNG CD 500

LST 50 AB CD 500 UP

100V volume control suitable for controlling two speaker circuits (AB cabling), e.g. in offices, department stores, ... The LST 50 AB CD 500 comes with a rotary dial without limit stop and two 25W auto-transformers. Also available with an optional mandatory relay. The metal support plate is screwed onto two standard flush-mounted boxes 63 mm in depth. A printed cover plate and rotary knob and blanking plate in alpine white are included in the delivery. A matching 2x frame in alpine white is an available accessory.

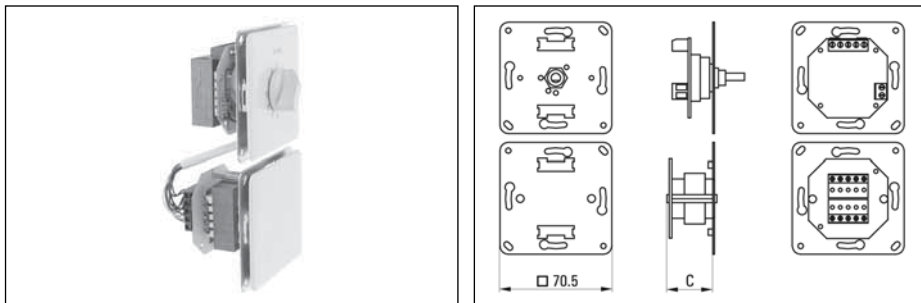


Technical Data	LST 50 AB CD 500 UP
Rated Power	2x25 W
Mandatory Relais Voltage	24 V
Mandatory Relais Current	0.012 A
Depth	57 mm
Component Set	rotary switch without stopper, 11 volume levels, 1 off position
Net Weight	0.42 kg
Colors similar	alpine white
Accessories	CD 582 WW: Cover frame, double

100V-volume control fitting to JUNG CD 500

LST 80 CD 500 UP, LST 100 CD 500 UP

100V volume control, suitable for offices, restaurants, department stores, ... The LST 80/ LST 100 CD 500 comes with a rotary dial without limit stop and two auto-transformers. Also available with an optional mandatory relay. The metal support plate is screwed onto two standard flush-mounted boxes 63 mm in depth. The LST 80 CD 500 can also be built into a 2x surface-mounted housing. A printed cover plate and rotary knob and blanking plate in alpine white are included in the delivery. A matching 2x frame and a 2x surface-mounted housing (only for LST 80) in alpine white is an available accessory.

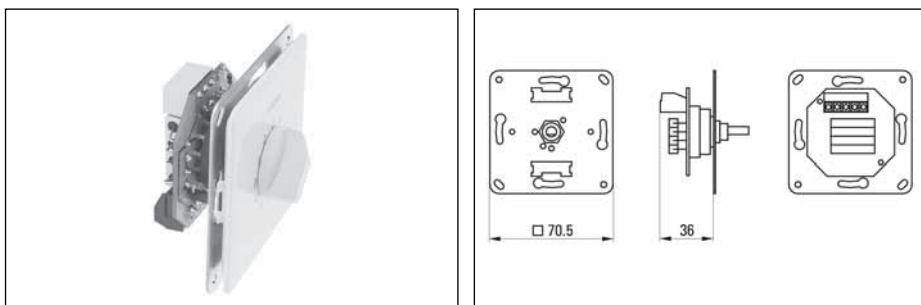


Technical Data	LST80 CD 500 UP	LST 100 CD 500
Rated Power	80 W	100 W
Mandatory Relais Voltage	24 V	24 V
Mandatory Relais Current	0.012 A	0.012 A
Depth C	32 mm	50 mm
Component Set	rotary switch without stopper, 9 volume levels, 3 off positions	rotary switch without stopper, 9 volume levels, 3 off positions
Net Weight	0.39 kg	0.43 kg
Colors similar	alpine white	alpine white
Accessories	CD 582 WW: 2x frame, CD 582 A WW: 2x surface-mounted housing	CD 582 WW: 2x frame

100V-volume control fitting to JUNG CD 500

LST W 6 CD 500, LST W 20 CD 500

100V volume control suitable for offices, restaurants, etc... The LSTW 6-/LSTW 20 CD 500 features a rotary dial without limit stop and resistor network. This makes a minimum installation depth possible, which means it can also be installed in a surface-mounted housing. The metal support plate is screwed onto a standard flush-mounted box 42 mm in depth, or a surface-mounted housing. A printed cover plate and rotary knob in alpine white are included in the delivery. A matching 1x frame/surface-mounted housing in alpine white is an available accessory.

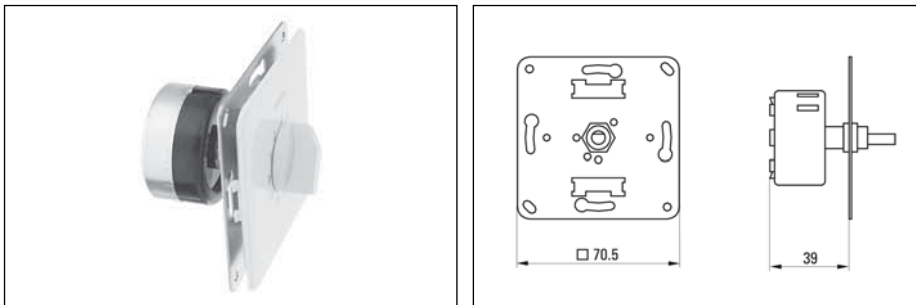


Technical Data	LST W 6 CD 500	LST W 20 CD 500
Rated Power	6 W	20 W
Mandatory Relais Voltage	24 V	24 V
Mandatory Relais Current	0.012 A	0.012 A
Depth	36 mm	36 mm
Component Set	rotary switch without stopper, 9 volume levels, 3 off positions	rotary switch without stopper, 9 volume levels, 3 off positions
Net Weight	0.09 kg	0.09 kg
Colors similar	alpine white	alpine white
Accessories	CD 581 WW: 1x frame, CD 581 A WW: 1x surface-mounted housing	CD 581 WW: 1x frame, CD 581 A WW: 1x surface-mounted housing

volume control for 4-, 8-, 20 ohm speakers fitting to JUNG CD 500

LR 15 mono CD 500

Analogue volume control, suitable for homes, doctor's surgeries, ... The LR 15 CD 500 Mono features a potentiometer with stopper. The metal support plate is screwed onto a standard flush-mounted box 42 mm in depth, or a surface-mounted housing. A printed cover plate and rotary knob in alpine white are included in the delivery. A matching 1x frame/surface-mounted housing produced by Jung/CD 500 in alpine white is an available accessory.

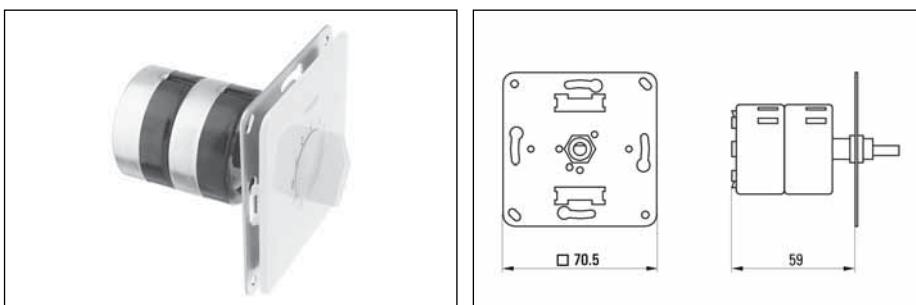


Technical Data	LR 15 mono CD
Rated Power	15 W
Impedance	50 Ohm
Max. Number of Loudspeakers (4 Ohm)	1 Pcs.
Max. Number of Loudspeakers (8 Ohm)	2 Pcs.
Max. Number of Loudspeakers (20 Ohm)	5 Pcs.
Depth	39 mm
Component Set	1 potentiometer with stopper, minimum level might stay when set to zero
Net Weight	0.08 kg
Colors similar	alpine white
Accessories	CD 581 WW: 1x frame, CD 581 A WW: 1x surface-mounted housing

volume control for 4-, 8-, 20 ohm speakers fitting to JUNG CD 500

LR 15 stereo CD 500 UP

Analogue volume control, suitable for homes, doctor's surgeries, ... The LR 15 CD 500 Stereo features two potentiometers with stoppers. The metal support plate is screwed onto a standard flush-mounted box 63 mm in depth. A printed cover plate and rotary knob in alpine white are included in the delivery. A matching 1x frame produced by Jung/CD 500 in alpine white is an available accessory.

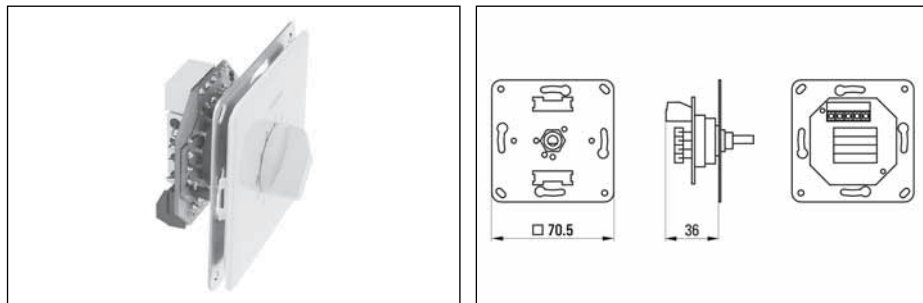


Technical Data	LR 15 stereo CD 500 UP
Rated Power	2x15 W
Impedance	2x50 Ohm
Max. Number of Loudspeakers (4 Ohm)	2 Pcs.
Max. Number of Loudspeakers (8 Ohm)	4 Pcs.
Max. Number of Loudspeakers (20 Ohm)	10 Pcs.
Depth	59 mm
Component Set	2 potentiometer with stopper, minimum level might stay when set to zero
Net Weight	0.11 kg
Colors similar	alpin white
Accessories	CD 581 WW: 1x frame

volume control for 4-, 8-, 20 ohm speakers fitting to JUNG CD 500

LR 20 mono CD 500

Volume control, suitable for restaurants, hotel bathrooms ... The LR 20 Mono CD 500 features a rotary dial without limit stop and a resistor network. This makes it especially suitable for use in public buildings. The metal support plate is screwed onto a standard flush-mounted box 42 mm in depth, or a surface-mounted housing. A printed cover plate and rotary knob in alpine white are included in the delivery. A matching 1x frame/surface-mounted housing produced by Jung/CD 500 in alpine white is an available accessory.

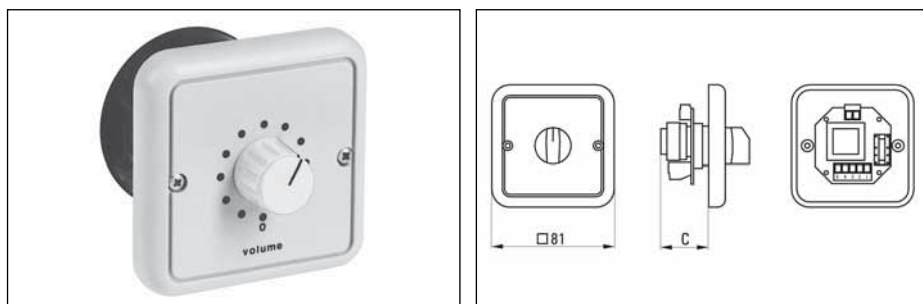


Technical Data	LR 20 mono CD 500
Rated Power	20 W
Impedance	4 Ohm
Max. Number of Loudspeakers (4 Ohm)	1 Pcs.
Max. Number of Loudspeakers (8 Ohm)	2 Pcs.
Max. Number of Loudspeakers (20 Ohm)	5 Pcs.
Depth	36 mm
Component Set	resistance-network, rotary switch without stopper, 9 volume and 3 off positions
Net Weight	0.08 kg
Colors similar	alpine white
Accessories	CD 581 WW: 1x frame, CD 581 A WW: 1x surface-mounted housing

100V volume control complete and cost effective

LST 6 UP/AP, LST 50 UP/AP

100V volume control, suitable for offices, restaurants, shops, etc... The LST 6 and LST 50 UP/AP come with a rotary dial without limit stop and auto-transformer. Also available with an optional mandatory relay. The printed cover plate (included in the delivery) is screwed onto a standard flush-mounted box (42 mm in depth), or onto the 1x surface-mounted housing (LST 6 only). Both housings may also be supplied (depending on the version). A rotary knob is also included in the delivery.

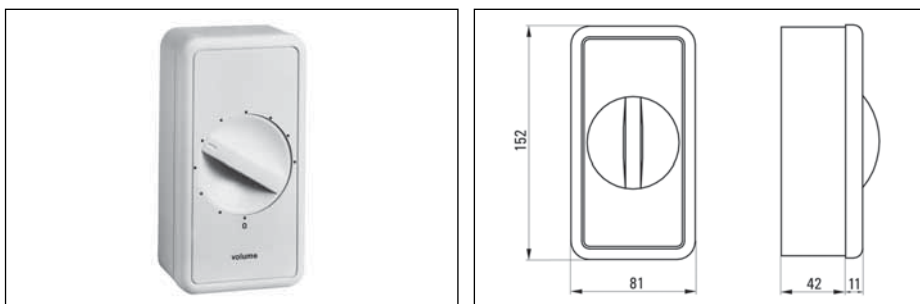


Technical Data	LST 6 UP/AP	LST 50 UP
Rated Power	6 W	50 W
Mandatory Relais Voltage	24 V	24 V
Mandatory Relais Current	0.012 A	0.012 A
Depth C	35 mm	40 mm
Component Set	rotary switch without stopper, 9 volume levels, 3 off positions	rotary switch without stopper, 9 volume levels, 3 off positions
Net Weight	0.1 kg	0.18 kg
Colors similar	white (RAL 9010)	white (RAL 9010)
Accessories	incl. flush-/surface-mounted housing (depending on the version)	incl. flush-/surface-mounted housing (depending on the version)

100V volume control complete and cost effective

LST15 UP/AP, LST40 UP/AP, LST80 UP/AP

100V volume control, suitable for offices, restaurants, shops, etc... The LST 15-, 40- 80 UP/AP feature a rotary dial without limit stop and a auto-transformer and are also available with an optional mandatory relay. The printed cover plate (included in the delivery) is screwed on the 2x flush-mounted box (also supplied) or the 2x surface-mounted housing. A rotary knob is also included.

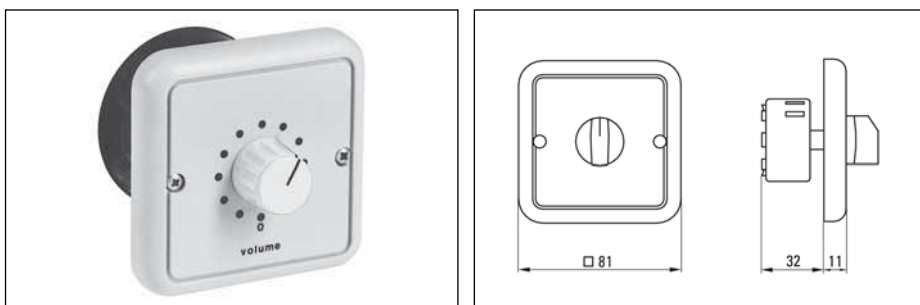


Technical Data	LST 15 UP/AP	LST40 UP/AP	LST 80 UP/AP
Rated Power	15 W	40 W	80 W
Mandatory Relais Voltage	24 V	24 V	24 V
Mandatory Relais Current	0.012 A	0.012 A	0.012 A
Depth	42 mm	42 mm	42 mm
Component Set	rotary switch without stopper, 9 volume levels, 3 off positions	rotary switch without stopper, 9 volume levels, 3 off positions	rotary switch without stopper, 9 volume levels, 3 off positions
Net Weight	0.27 kg	0.26 kg	0.39 kg
Colors similar	white (RAL 9010)	white (RAL 9010)	white (RAL 9010)
Accessories	incl. flush-/surface-mounted housing (depending on the version)	incl. flush-/surface-mounted housing (depending on the version)	incl. flush-/surface-mounted housing (depending on the version)

volume control for 4-, 8-, 20 ohm speakers complete and cost effective

LR 15 mono UP/AP

Analogue volume control, suitable for restaurants, etc... The LR 15 mono UP/AP features a potentiometer with stopper. The printed cover plate (included in the delivery) is screwed onto a standard flush-mounted box (42 mm in depth), or onto the 1x surface-mounted housing. Both housings may also be supplied (depending on the version). A rotary knob is also included in the delivery.

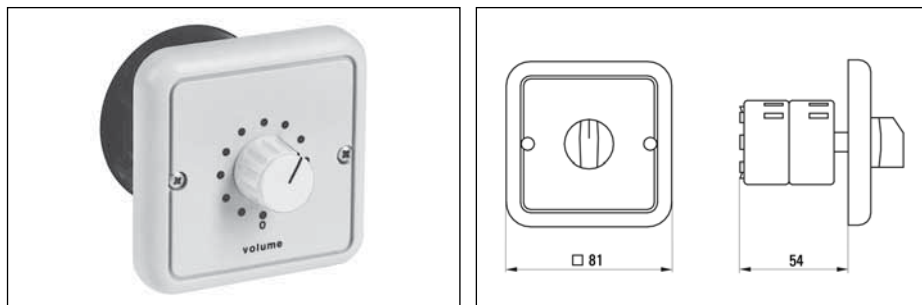


Technical Data	LR15 mono UP/AP
Rated Power	15 W
Impedance	50 Ohm
Max. Number of Loudspeakers (4 Ohm)	1 Pcs.
Max. Number of Loudspeakers (8 Ohm)	2 Pcs.
Max. Number of Loudspeakers (20 Ohm)	5 Pcs.
Depth	32 mm
Component Set	1 potentiometer with stopper, minimum level might stay when set to zero
Net Weight	0.08 kg
Colors similar	white (RAL 9010)
Accessories	NVU 100: low voltage transformer, incl. flush-/surface-mounted housing

volume control for 4-, 8-, 20 ohm speakers complete and cost effective

LR 15 stereo UP

Analogue volume control, suitable for restaurants, etc... The LR 15 stereo UP features a potentiometer with stopper. The printed cover plate included in the delivery is screwed onto a standard flush-mounted box included in the delivery with a depth of 63 mm. A rotary knob is also included as before.

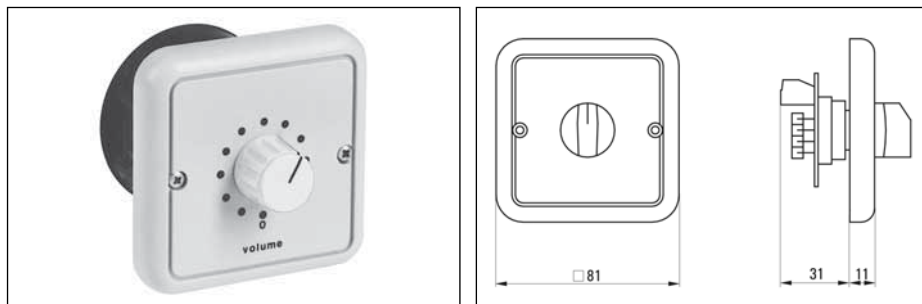


Technical Data	LR 15 stereo UP
Rated Power	2x15 W
Impedance	2x50 Ohm
Max. Number of Loudspeakers (4 Ohm)	2 Pcs.
Max. Number of Loudspeakers (8 Ohm)	4 Pcs.
Max. Number of Loudspeakers (20 Ohm)	10 Pcs.
Depth	54 mm
Component Set	2 potentiometer with stopper, minimum level might stay when set to zero
Net Weight	0.11 kg
Colors similar	white (RAL 9010)
Accessories	NVÜ 100: low voltage transformer, incl. flush-/surface-mounted housing

volume control for 4-, 8-, 20 ohm speakers complete and cost effective

LR 20 mono UP/AP

Volume control, suitable for restaurants, etc... The LR 20 mono UP/AP features a rotary dial without limit stop and a resistor network. This makes it especially suitable for use in public buildings. The printed cover plate included in the delivery is screwed onto a standard flush-mounted box (42 mm in depth), or onto the 1x surface-mounted housing. Both housings may also be supplied (depending on the version). A rotary knob is also included in the delivery.

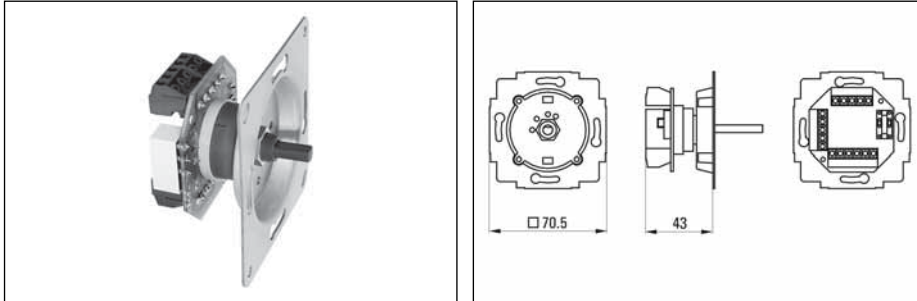


Technical Data	LR20 mono WHD V
Rated Power	20 W
Impedance	4 Ohm
Max. Number of Loudspeakers (4 Ohm)	1 Pcs.
Max. Number of Loudspeakers (8 Ohm)	2 Pcs.
Max. Number of Loudspeakers (20 Ohm)	5 Pcs.
Depth	31 mm
Component Set	resistance-network, rotary switch without stopper, 9 volume and 3 off positions
Net Weight	0.08 kg
Colors similar	white (RAL 9010)
Accessories	NVÜ 100: low voltage transformer, incl. flush-/surface-mounted housing

program selectors fitting to switch boxes

PRO 3 ... UP

Programme selector switch, e.g for restaurants, shops, ... The PRO 3 UP features a rotary dial without limit stop for 6 programmes. Also available with an optional mandatory relay. The metal support plate is screwed onto a standard flush-mounted box 63 mm in depth. It comes preconfigured for Venetian blind cover plates with rotary knob for the particular switch program. These parts can be obtained from any electrical wholesaler. For exact order data according to the switch program please refer to the table at the end of this chapter.

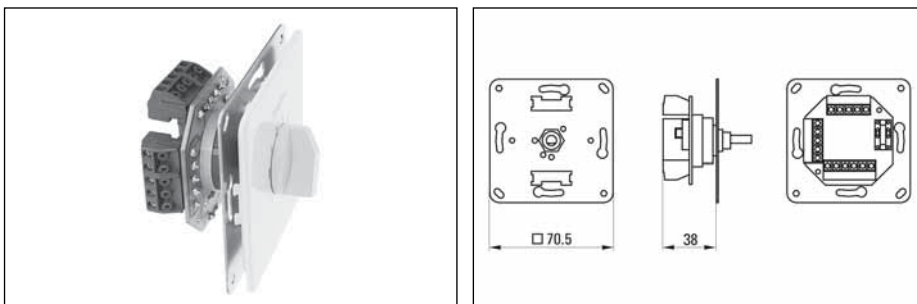


Technical Data	Pro 3... UP
Mandatory Relais Voltage	24 V
Mandatory Relais Current	0.012 A
Depth	43 mm
Component Set	12 steps for 6 programs without stopper
Net Weight	0.08 kg
Colors similar	depending on switch program
Accessories	

program selectors fitting to JUNG CD 500

PRO 3 CD 500

Programme selector switch, e.g for restaurants, shops, etc... The PRO 3 CD 500 features a rotary dial without limit stop for 6 programmes. Also available with an optional mandatory relay. The metal support plate is screwed onto a standard flush-mounted box 42 mm in depth, or a surface-mounted housing. A printed cover plate and rotary knob in alpine white are included in the delivery. A matching 1x frame/surface-mounted housing in alpine white is an available accessory.

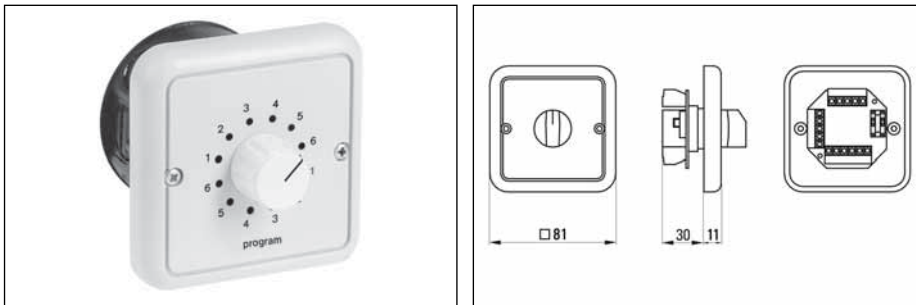


Technical Data	Pro 3 CD 500
Mandatory Relais Voltage	24 V
Mandatory Relais Current	0.012 A
Depth	38 mm
Component Set	12 steps for 6 programs without stopper
Net Weight	0.08 kg
Colors similar	alpin white
Accessories	CD 581 WW: 1x frame, CD 581 A WW: 1x surface-mounted housing

program selectors complete and cost effective

PRO 1 UP/AP

Programme selector switch, e.g for restaurants, shops, etc... The PRO 1 UP/AP features a rotary dial without limit stop for 6 programmes. Also available with an optional mandatory relay. The printed cover plate included in the delivery is screwed onto a standard flush-mounted box (42 mm in depth), or onto the 1x surface-mounted housing. Both housings may also be supplied (depending on the version). A rotary knob is also included in the delivery.

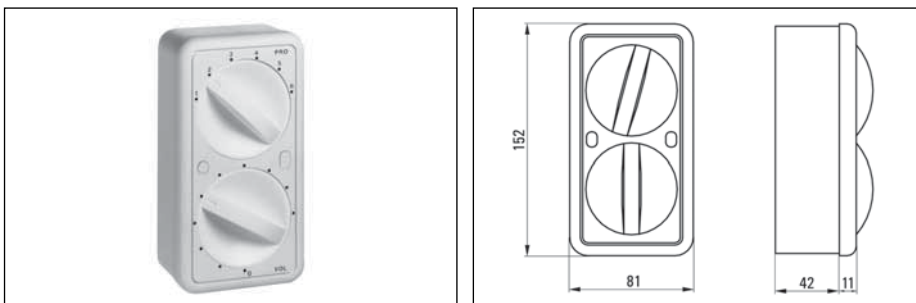


Technical Data	PRO 1 UP/AP
Mandatory Relais Voltage	24 V
Mandatory Relais Current	0.012 A
Depth	30 mm
Component Set	12 steps for 6 programs without stopper
Net Weight	0.09 kg
Colors similar	white (RAL 9010)
Accessories	incl. flush-/surface-mounted housing (depending on the version)

program selectors complete and cost effective

LST40 PRO UP/AP

100V volume control, with programme selector switch, suitable for restaurants, shops, etc... The LST 40 PRO UP/AP features two rotary dials without limit stop and a auto-transformer, as well as a rotary dial for selecting between 6 programmes. It is also available with an optional mandatory relay. The printed cover plate included in the delivery is screwed on the 2x flush-mounted box or the 2x surface-mounted housing. Both housings may also be included (depending on the version). Two rotary knobs are also included in the delivery.



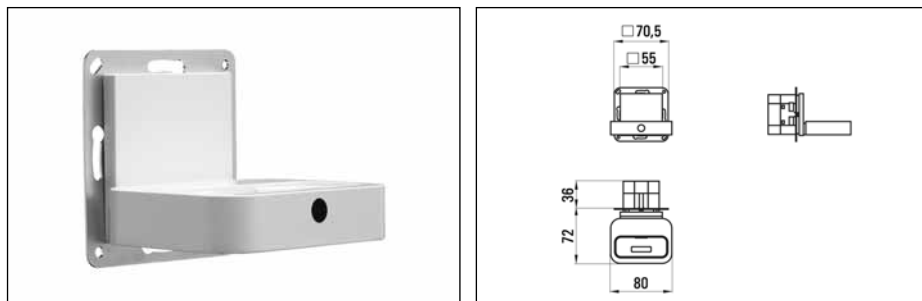
Technical Data	LST 40 PRO UP/AP
Mandatory Relais Voltage	24 V
Mandatory Relais Current	0.012 A
Depth	42 mm
Component Set	Two switches without stopper for 6 programs and 9 volume levels/3 off positions
Net Weight	0.33 kg
Colors similar	white (RAL 9010)
Accessories	incl. flush-/surface-mounted housing (depending on the version)

music port with stereo amplifier and charging function

MP 55 UP

Wall holder with amplifier and charger for portable music players like iPod and iPhone. Built-in infrared receiver and push buttons for volume control. Additional AUX input (3.5 mm jack) connects to almost any portable sound system with line or headphone connectivity. Can be combined with loudspeaker KEL 55 to match with switch ranges or connects to any other high quality loudspeaker such as M 240-8. 55x55mm front plate compatible with various switch ranges. A fixed line-level stereo output connects the MP 55 UP to a WHD multiroom or a hi-fi system.

* iPod and iPhone are registered trademarks of Apple Inc.



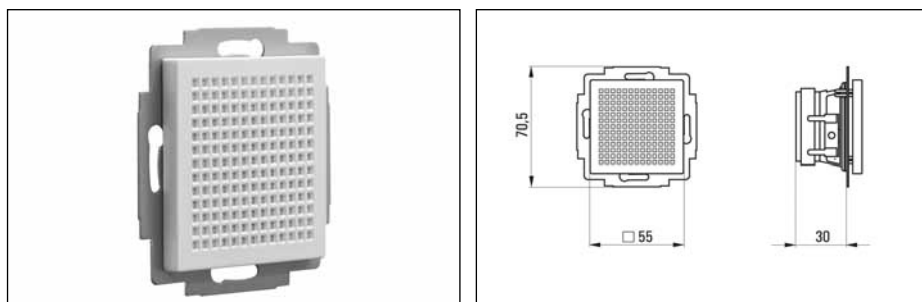
Technical Data	MP 55 UP
Input Voltage Mic/ILne	-/200 mV
Input Impedance Mic/Line	-/47 kOhm
Max. Output Voltage	3,5 V
Output Impedance	8 Ohm
Rated Power	2x1,5 W
Control Voltage	
Operating Voltage	230 V
Current Consumption	
Max. Number of Loudspeakers (4 Ohm)	1 Pcs.
Max. Number of Loudspeakers (8 Ohm)	2 Pcs.
Max. Number of Loudspeakers (20 Ohm)	5 Pcs.
Depth	34 mm
Component Set	230V power supply, charger for iPod/iPhone*, stereo amplifier
Net Weight	0,15 kg.
Colors similar	pure white shiny
Accessories	KEL 55 8 ohm: in-wall speaker with 55 x 55 mm cover plate

Available from October 2008.

8 ohm speaker fitting to switch boxes

KEL 55 8 Ohm

Speaker ideal to combine with Musicport 55 for example in homes, hotel rooms,... The KEL 55 offers outstanding sound for its size. It features a 50 mm full range speaker. The metal support plate is screwed onto a standard flush-mounted box 42 mm in depth. The grille included in the delivery in color pure white shiny with a size of 55 x 55 mm is inserted into the metal support plate thus securing the frame of the switch. This can be obtained from any electrical wholesaler.

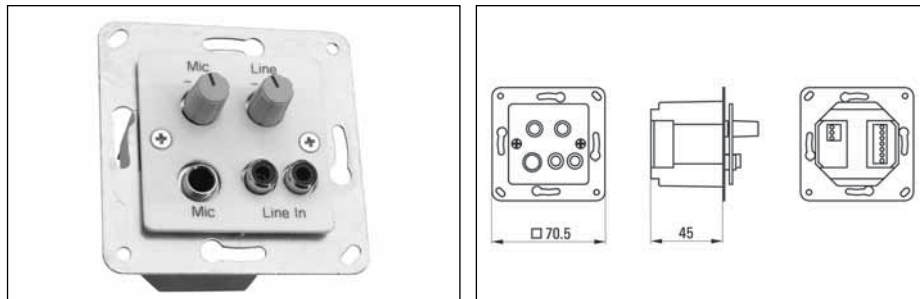


Technische Daten	KEL 55 8 Ohm
Load Rating / Music Power	3/4 W
Impedance	8 Ohm
Transformer	
SDP 1W/1m	83 dB
SDP PNenn/1m	88 dB
SDP PNenn/1m/f	92 dB/12 kHz
Frequency Range (-3 dB)	150-20000 Hz
Frequency Range (-10 dB)	100-21000 Hz
Component Set	1 x B 50 BB
Net Weight	0,15 kg
Colors similar	pure white shiny
Accessories	perfectly suitable for MP 55 UP

amplifier fitting to switch boxes

Preamp UP

Preamplifier for connecting up a microphone and a line source, e.g. a CD- or MP3 player. Suitable for homes, small training rooms, doctor's surgeries, etc.... The volume level from each source is separately controllable. The Preamp UP can also be switched on/off. The pre-amplified signal can be forwarded to up 50x AMP 10 (DC) or to a 100V amplifier for example. The metal support plate is screwed onto a standard flush-mounted box 63 mm in depth. A 50 x 50 mm printed cover plate is included in the delivery. A suitable adapter frame, obtainable from any electrical wholesaler is available for the particular switch program.

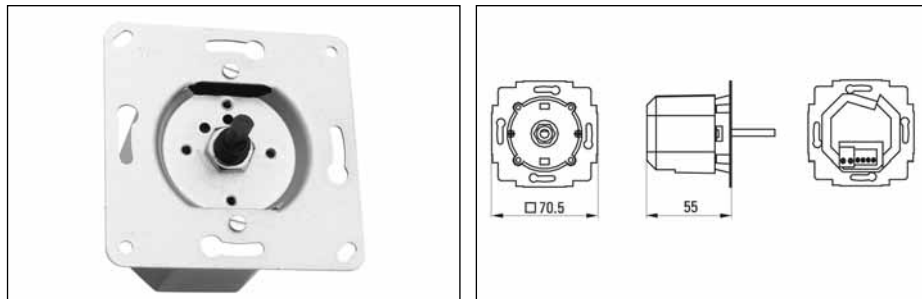


Technical Data	Preamp UP
Input Voltage Mic/Line	4 mV/400 mV
Input Impedance Mic/Line	4.7 kOhm/47 kOhm
Max. Output Voltage	5 V
Output Impedance	50 Ohm
Rated Power	
Control Voltage	0-10 V
Operating Voltage	22 - 26 V
Current Consumption	0.025 A
Max. Number of Loudspeakers (4 Ohm)	
Max. Number of Loudspeakers (8 Ohm)	
Max. Number of Loudspeakers (20 Ohm)	
Depth	45 mm
Component Set	
Net Weight	0.12 kg
Colors similar	pure white, dull
Accessories	PS 24/1,5: power supply

amplifiers fitting to switch boxes

AMP 10 ... UP

Power amplifier for use with the preamplifier Preamp UP, suitable for homes, small training rooms, doctor's surgeries, etc... The AMP 10 features a potentiometer with switch allowing you to adjust the volume independently and to switch the amplifier on/off. The metal support plate is screwed onto a standard flush-mounted box 63 mm in depth. It comes preconfigured for Venetian blind cover plates with rotary dial for the particular switch program. These parts can be obtained from any electrical wholesaler. For exact order information according to the switch program please refer to the table at the end of this chapter.

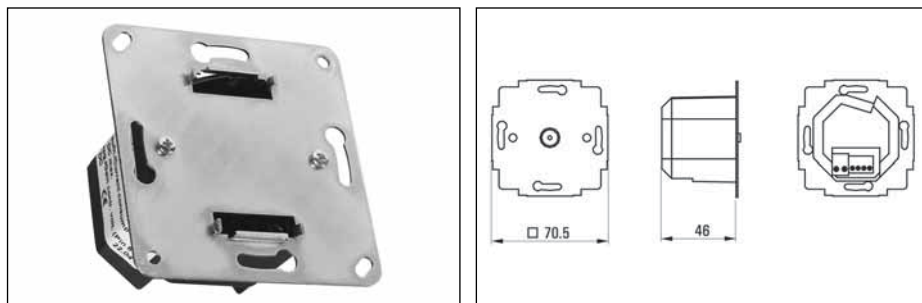


Technical Data	AMP 10 ... UP
Input Voltage Mic/ILne	-/0 dB or 5 VAC (switchable)
Input Impedance Mic/Line	-/47 kOhm
Max. Output Voltage	6.3 V
Output Impedance	4 Ohm
Rated Power	10 W
Control Voltage	- V
Operating Voltage	22 - 26 V
Current Consumption	0.77 A
Max. Number of Loudspeakers (4 Ohm)	1 Pcs.
Max. Number of Loudspeakers (8 Ohm)	2 Pcs.
Max. Number of Loudspeakers (20 Ohm)	5 Pcs.
Depth	55 mm
Component Set	
Net Weight	0.15 kg
Colors similar	depending on switch program
Accessories	PS 24/1,5: power supply

amplifiers fitting to switch boxes

AMP 10 DC ... UP

Power amplifier with 0-10V control for use with the preamplifier Preamp UP or EIB/KNX audio system, suitable for homes, small training rooms, doctor's surgeries, etc... The AMP 10 DC features a 0-10V control which enables independent volume adjustment. The metal support plate is screwed onto a standard flush-mounted box 63 mm in depth. It has been pre-configured for a blanking plate specific to the particular switch program. These can be obtained from any electrical wholesaler. For exact order information according to the switch program please refer to the table at the end of this chapter.

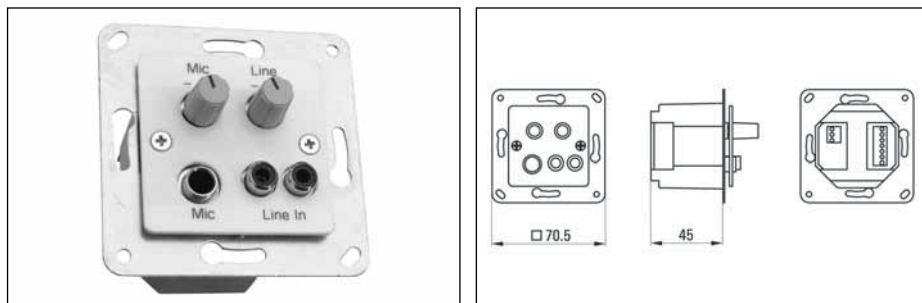


Technical Data	AMP 10 DC ... UP
Input Voltage Mic/ILne	-/0 dB or 5 VAC (switchable)
Input Impedance Mic/Line	-/47 kOhm
Max. Output Voltage	6.3 V
Output Impedance	4 Ohm
Rated Power	10 W
Control Voltage	0-10 V
Operating Voltage	22 - 26 V
Current Consumption	0.77 A
Max. Number of Loudspeakers (4 Ohm)	1 Pcs.
Max. Number of Loudspeakers (8 Ohm)	2 Pcs.
Max. Number of Loudspeakers (20 Ohm)	5 Pcs.
Depth	46 mm
Component Set	
Net Weight	0.1 kg
Colors similar	depending on switch program
Accessories	PS 24/1,5: power supply

amplifiers fitting to JUNG CD 500

Preamp CD 500 UP

Preamplifier for connecting up a microphone and a line source, e.g. a CD- or MP3 player. Suitable for homes, small training rooms, doctor's surgeries, etc.... The volume from each source is separately controllable. The Preamp UP CD 500 can also be switched on/off. The pre-amplified signal can be forwarded to up 50x AMP 10 (DC) or to a 100V amplifier for example. The metal support plate is screwed onto a standard flush-mounted box 63 mm in depth. A 50 x 50 mm printed cover plate and adapter frame for JUNG/CD 500 are included in the delivery.

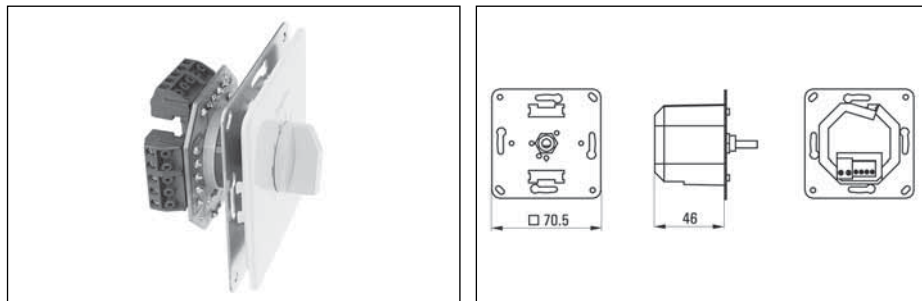


Technical Data	Preamp CD 500 UP
Input Voltage Mic/Line	4 mV/400 mV
Input Impedance Mic/Line	4.7 kOhm/47 kOhm
Max. Output Voltage	5 V
Output Impedance	50 Ohm
Rated Power	
Control Voltage	0-10 V
Operating Voltage	22 - 26 V
Current Consumption	0.025 A
Max. Number of Loudspeakers (4 Ohm)	
Max. Number of Loudspeakers (8 Ohm)	
Max. Number of Loudspeakers (20 Ohm)	
Depth	45 mm
Component Set	
Net Weight	0.12 kg
Colors similar	alpin white
Accessories	PS 24/1,5: power supply

amplifier fitting to JUNG CD 500

AMP 10 CD 500 UP

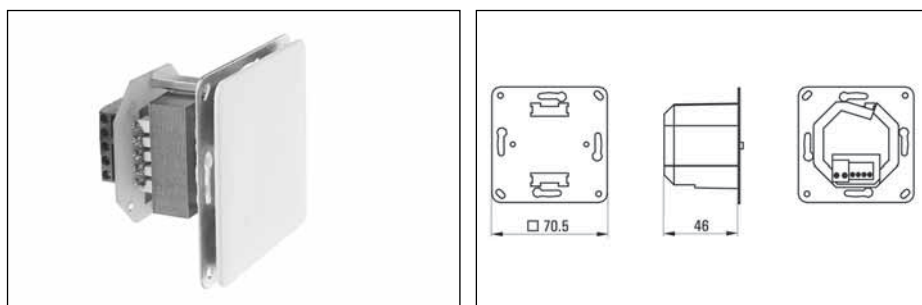
Power amplifier for use with the preamplifier Preamp UP, suitable for homes, small training rooms, doctor's surgeries, etc... The AMP 10 CD 500 features a potentiometer with switch which allows you to adjust the volume independently and to switch the amplifier on/off. The metal support plate is screwed onto a standard flush-mounted box 63 mm in depth. A printed cover plate and rotary knob in alpine white are included in the delivery. A matching 1x frame in alpine white is an available accessory.



Technical Data	AMP 10 CD 500 UP
Input Voltage Mic/ILne	-/0 dB or 5 VAC (switchable)
Input Impedance Mic/Line	-/47 kOhm
Max. Output Voltage	6.3 V
Output Impedance	4 Ohm
Rated Power	10 W
Control Voltage	- V
Operating Voltage	22 - 26 V
Current Consumption	0.77 A
Max. Number of Loudspeakers (4 Ohm)	1 Pcs.
Max. Number of Loudspeakers (8 Ohm)	2 Pcs.
Max. Number of Loudspeakers (20 Ohm)	5 Pcs.
Depth	46 mm
Component Set	
Net Weight	0.15 kg
Colors similar	alpin white
Accessories	PS 24/1,5: power supply, CD 581 WW: 1x frame

AMP 10 DC CD 500 UP

Power amplifier with 0-10V control for use with the preamplifier Preamp UP or EIB/KNX audio system, suitable for homes, small training rooms, doctor's surgeries, etc... The AMP 10 DC features a 0-10V control. This enables independent volume adjustment. The metal support plate is screwed onto a standard flush-mounted box 63 mm in depth. A blanking plate in alpine white is included in the delivery. A matching 1x frame in alpine white is an available accessory.

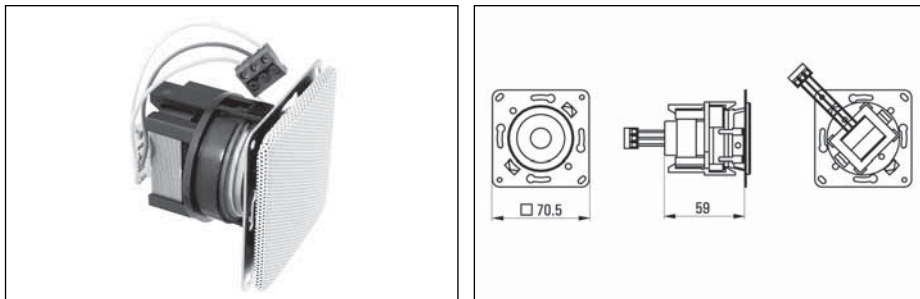


Technical Data	AMP 10 DC CD 500 UP
Input Voltage Mic/ILne	-/0 dB or 5 VAC (switchable)
Input Impedance Mic/Line	-/47 kOhm
Max. Output Voltage	6.3 V
Output Impedance	4 Ohm
Rated Power	10 W
Control Voltage	0-10 V
Operating Voltage	22 - 26 V
Current Consumption	0.77 A
Max. Number of Loudspeakers (4 Ohm)	1 Pcs.
Max. Number of Loudspeakers (8 Ohm)	2 Pcs.
Max. Number of Loudspeakers (20 Ohm)	5 Pcs.
Depth	46 mm
Component Set	
Net Weight	0.1 kg
Colors similar	alpin white
Accessories	PS 24/1,5: power supply, CD 581 WW: 1x frame

100V-speakers fitting to switch boxes

KEL ... UP T

Speaker suitable for speech and background music, e.g. in offices, homes, hotel bathrooms, ... The KEL ... UP T offers outstanding sound for its size. It features a 50 mm full range speaker and 100V transformer attached to the rear of the unit. The metal support plate is screwed onto a standard flush-mounted box 63 mm in depth. The grille (included in the delivery) is available in white, anthracite or silver and is inserted into the metal support plate thus securing the frame of the switch. This can be obtained from any electrical wholesaler. For exact order information according to the switch program please refer to the table at the end of this chapter.

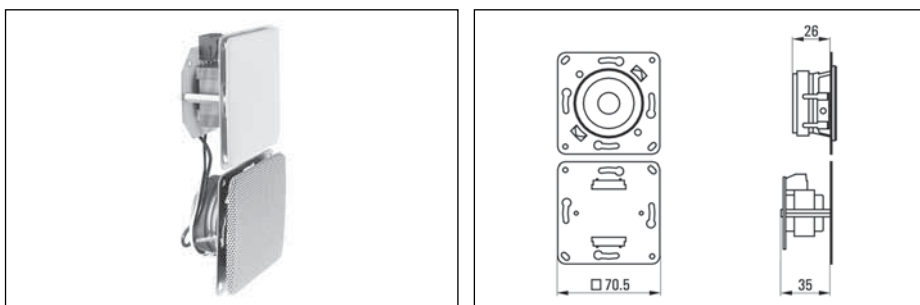


Technical Data	KEL ... UP T
Load Rating / Music Power	3 W
Impedance	
Transformer	3/1.5 W
SDP 1W/1m	83 dB
SDP PNenn/1m	88 dB
SDP PNenn/1m/f	92 dB/12 kHz
Frequency Range (-3 dB)	150-20000 Hz
Frequency Range (-10 dB)	100-21000 Hz
Component Set	1 x B 50 BB
Net Weight	0.29 kg
Colors similar	white, silver, anthracite
Accessories	

100V-speakers fitting to switch boxes

KEL ... AP T

Speaker suitable for speech and background music, e.g. in offices, homes, hotel bathrooms, ... The KEL ... AP T offers outstanding sound for its size. It features a 50 mm full range speaker and 100V transformer which is housed in a separate flush box. The metal support plates are screwed onto a standard surface-mounted housing. The grille (included in the delivery) is available in white, anthracite or silver and is inserted into the metal support plate thus securing the frame. The second metal support plate has been pre-configured for a blanking plate designed for the specific switch program. These can be obtained from any electrical wholesaler. For exact order information according to the switch program please refer to the table at the end of this chapter.

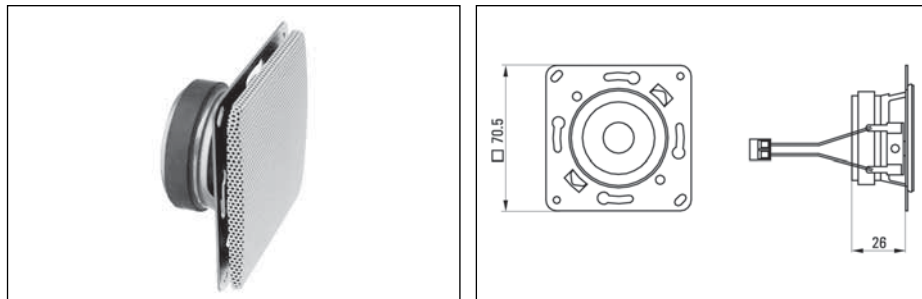


Technical Data	KEL ... AP T
Load Rating / Music Power	3 W
Impedance	
Transformer	3/1.5 W
SDP 1W/1m	83 dB
SDP PNenn/1m	88 dB
SDP PNenn/1m/f	92 dB/12 kHz
Frequency Range (-3 dB)	150-20000 Hz
Frequency Range (-10 dB)	100-21000 Hz
Component Set	1 x B 50 BB
Net Weight	0.29 kg
Colors similar	white, silver, anthracite
Accessories	

8-, 20 ohm speakers fitting to switch boxes

KEL ... 8 Ohm, KEL ... 20 Ohm

Speaker suitable for speech and background music, e.g. in offices, homes, hotel bathrooms, ... The KEL ... 8/20 Ohm offers outstanding sound for its size. Comes with a 50 mm full-range speaker. The metal support plate is screwed onto a standard flush-mounted box 42 mm in depth, or a surface-mounted housing. The grille (included in the delivery) is available in white, anthracite or silver and is inserted into the metal support plate thus securing the frame of the switch. This can be obtained from any electrical wholesaler. For exact order information according to the switch program please refer to the table at the end of this chapter.

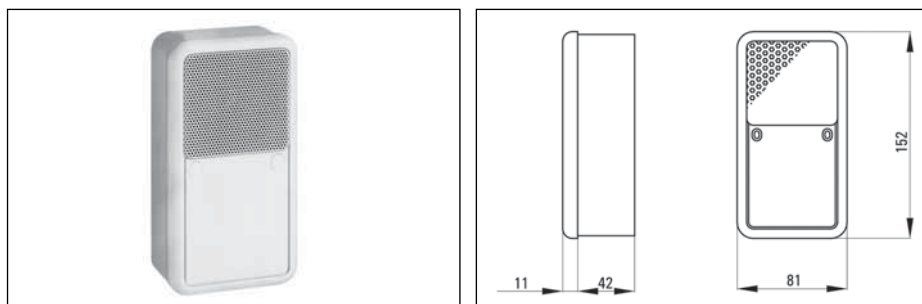


Technical Data	KEL ... 8 Ohm, KEL ... 20 Ohm
Load Rating / Music Power	3/4 W
Impedance	8, 20 Ohm
Transformer	
SDP 1W/1m	83 dB
SDP PNenn/1m	88 dB
SDP PNenn/1m/f	92 dB/12 kHz
Frequency Range (-3 dB)	150-20000 Hz
Frequency Range (-10 dB)	100-21000 Hz
Component Set	1 x B 50 BB
Net Weight	0.15 kg
Colors similar	white, silver, anthracite
Accessories	

100V-speakers complete and cost effective

KEL 2/1 T UP/AP

Speaker suitable for speech and background music, for example in offices, homes, hotel bathrooms, ... The KEL 2/1 UP/AP offers outstanding sound for its size. It features a 66 mm full range speaker and 100V transformer. The printed cover plate included in the delivery is screwed on the 2x flush-mounted box or the 2x surface-mounted housing. Both housings are also supplied (depending on the version). The flush-mounted UP version can also be attached in a hollow cavity, such as a cable duct.

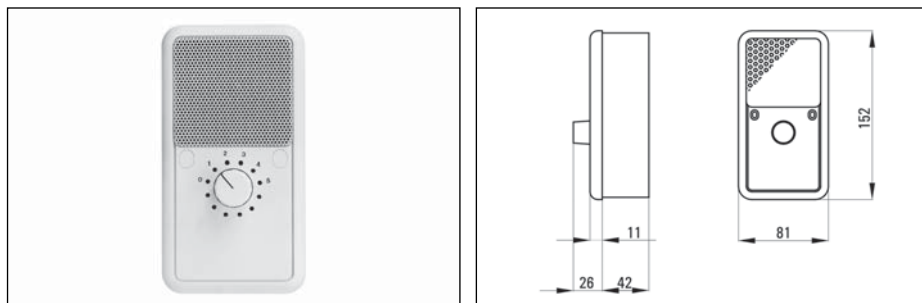


Technical Data	KEL 2/1 T UP/AP
Load Rating / Music Power	2 W
Impedance	
Transformer	2/1 W
SDP 1W/1m	86 dB
SDP PNenn/1m	89 dB
SDP PNenn/1m/f	95 dB/4 kHz
Frequency Range (-3 dB)	170-20000 Hz
Frequency Range (-10 dB)	110-20000 Hz
Component Set	1 x B 66 BB-4
Net Weight	0.43 kg
Colors similar	white (RAL 9010)
Accessories	incl. flush-/surface-mounted housing (depending on the version)

100V-speakers complete and cost effective

KEL 2/1 T UP-RE / AP-RE

Speaker suitable for speech and background music, for example in offices, homes, hotel bathrooms, ... The KEL 2/1 UP/AP-Re offers outstanding sound for its size. It features a 66 mm full range speaker and 100V transformer and volume control. Also available with an optional mandatory relay. The printed cover plate included in the delivery is screwed on the 2x flush-mounted box or the 2x surface-mounted housing. Both housings are also supplied (depending on the version). A rotary knob is also included in the delivery. The flush-mounted UP version can also be attached in a hollow cavity, such as a cable duct.

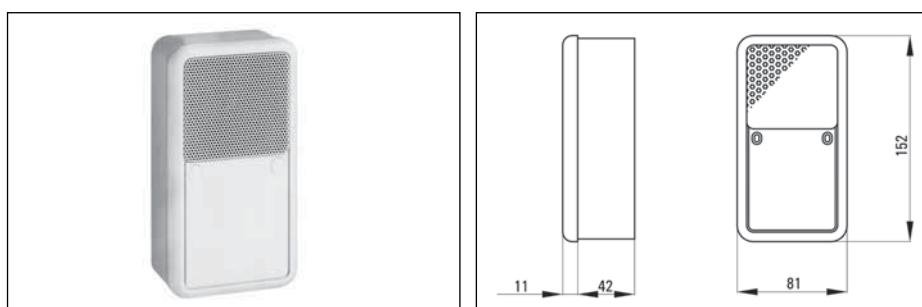


Technical Data	KEL 2/1 T UP-Re / AP-Re
Load Rating / Music Power	2 W
Impedance	
Transformer	2/1 W
SDP 1W/1m	86 dB
SDP PNenn/1m	89 dB
SDP PNenn/1m/f	95 dB/4 kHz
Frequency Range (-3 dB)	170-20000 Hz
Frequency Range (-10 dB)	110-20000 Hz
Component Set	1 x B 66 BB-4
Net Weight	0.43 kg
Colors similar	white (RAL 9010)
Accessories	incl. volume control and flush-/surface-mounted housing (dep on the version)

4-, 20 ohm speakers complete and cost effective

KEL 2/1-4 UP/AP, KEL 2/1-20 UP/AP

Speaker suitable for speech and background music, for example in offices, homes, hotel bathrooms, ... The KEL 2/1 4/20 UP/AP offers outstanding sound for its size. Comes with a 66 mm full-range speaker. The printed cover plate included in the delivery is screwed on the 2x flush-mounted box or the 2x surface-mounted housing. Both housings are also supplied (depending on the version). The flush-mounted UP version can also be attached in a hollow cavity, such as a cable duct.

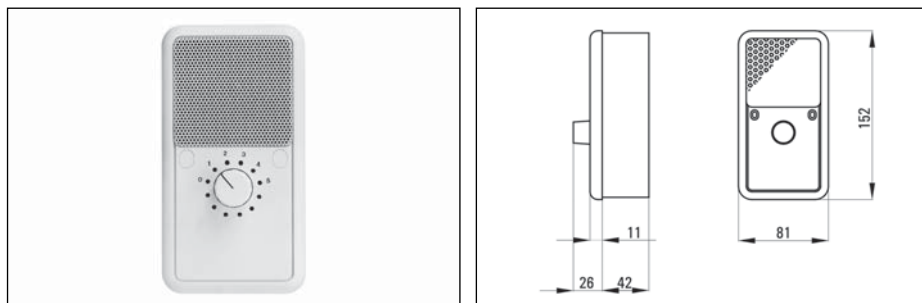


Technical Data	KEL 2/1-4 UP/AP, KEL 2/1-20 UP/AP
Load Rating / Music Power	6/8 W
Impedance	4, 20 Ohm
Transformer	
SDP 1W/1m	86 dB
SDP PNenn/1m	94 dB
SDP PNenn/1m/f	100 dB/4 kHz
Frequency Range (-3 dB)	170-20000 Hz
Frequency Range (-10 dB)	110-20000 Hz
Component Set	1 x B 66 BB-4, -20
Net Weight	0.32 kg
Colors similar	white (RAL 9010)
Accessories	incl. flush-/surface-mounted housing (depending on the version)

4-, 20 ohm speakers complete and cost effective

KEL 2/1-4-Re UP/AP

Speaker suitable for speech and background music, for example in offices, homes, hotel bathrooms, ... The KEL 2/1 4/20 UP/AP-Re offers outstanding sound for its size. It features a 66 mm full range speaker and volume control. The printed cover plate included in the delivery is screwed on the 2x flush-mounted box or the 2x surface-mounted housing. Both housings are also supplied (depending on the version). A rotary knob is also included in the delivery. The flush-mounted UP version can also be attached in a hollow cavity, such as a cable duct.

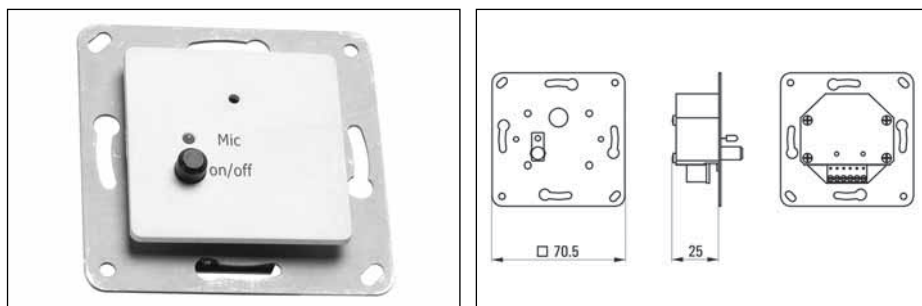


Technical Data	KEL 2/1-4-Re UP/AP
Load Rating / Music Power	6/8 W
Impedance	4 Ohm
Transformer	
SDP 1W/1m	86 dB
SDP PNenn/1m	94 dB
SDP PNenn/1m/f	100 dB/4 kHz
Frequency Range (-3 dB)	170-20000 Hz
Frequency Range (-10 dB)	110-20000 Hz
Component Set	1 x B66 BB-4
Net Weight	0.32 kg
Colors similar	white (RAL 9010)
Accessories	incl. 50 ohms volume control and flush-/surface-mounted housing

microphones fitting to switch programs

Mic UP

Microphone for public announcements, for example in doctor's surgeries, ... The microphone has an electret capsule. The On/Off button can be used to switch the microphone on/off. At the same time, it triggers a relay contact which in turn can control a EIB/KNX interface, e.g. a binary input. This allows integration of the Mic UP into the EIB/KNX audio system. The metal support plate is screwed onto a standard flush-mounted box 42 mm in depth, or a surface-mounted housing. A 50 x 50 mm printed cover plate in pure white is included in the delivery. A suitable adapter frame, obtainable from any electrical wholesaler is available for the particular switch box.



Technical Data	Mic UP
Power supply	24 VDC
Sensitivity	7,9 mV / Pa/1 KHz
Output impedance	2 KOhm
Frequency range	20-16.000 Hz
Current consumption	9 mA
Connection	6 pole screw terminal
Depth	25 mm

Audio electronics fitting to switch programs without center plates, frames and sockets

Power
Type

Order details (... -R: incl. mandatory relay)

Berker

ARSYS
B.1
B.3
B.7
K.1
K.5
Modul 2
S.1
Twinpoint

Busch-Jaeger

alpha nea
alpha exclusive
axcent
Busch-Duro
carat
future
future linear
impuls
Reflex SI
solo

GIRA

High-grade steel
S-Color
Merten
System M
1-M
Atelier-M
M-Smart
M-Plan
M-Arc
M-Star
Design-Antik
Atelier
Artec
M1
OctoColor
PEHA
AURA
DIALOG
STANDARD

GIRA

-System 55-
E2
Event
Esprit
Standard 55

GIRA
F-Line

JUNG

A 500
AS 500
A Creation
CD 500
CD plus
Stainless Steel
LS 990
SL 500
ELSO
FASHION
NOVIA
SCALA

100 V

Volume control

6 Watt
100 V transformer

LST 6 BE UP
LST 6 BE UP -R

LST 6 BJ UP
LST 6 BJ UP -R

LST 6 GMP UP
LST 6 GMP UP -R

LST 6 GE UP
LST 6 GE UP -R

LST 6 GF UP
LST 6 GF UP -R

LST 6 JU UP
LST 6 JU UP -R

50 Watt
100 V transformer

LST 50 BE UP
LST 50 BE UP -R

LST 50 BJ UP
LST 50 BJ UP -R

LST 50 GMP UP
LST 50 GMP UP -R

LST 50 GE UP
LST 50 GE UP -R

LST 50 GF UP
LST 50 GF UP -R

LST 50 JU UP
LST 50 JU UP -R

100 Watt
100 V transformer
double version

LST 100 BE UP
LST 100 BE UP -R

LST 100 BJ UP
LST 100 BJ UP -R

for GIRA:
LST 100 GI UP
LST 100 GI UP -R
for Merten:
LST 100 ME UP
LST 100 ME UP -R
for PEHA:
LST 100 PE UP
LST 100 PE UP -R

LST 100 GE UP
LST 100 GE UP -R

LST 100 GF UP
LST 100 GF UP -R

for JUNG
SL 500,
LS 990, Edelstahl:
LST 100 JU UP
LST 100 JU UP -R
for JUNG
CD 500, ST 550:
LST 100 JCDST UP
LST100JCDST UP-R

8 Ω / 50 Ω

Volume control

15 Watt
50 Ω, mono
Potentiometer

LR15 mono BE UP

LR15 mono BJ UP

LR15 mono GMP
UP

LR15 mono GE UP

LR15 mono GF UP

LR15 mono JU UP

15 Watt
50 Ω, stereo
Potentiometer

LR15 stereo BE UP

LR15 stereo BJ UP

LR15 stereo GMP
UP

LR15 stereo GE UP

LR15 stereo GF UP

LR15 stereo JU UP

20 Watt
8 Ω, mono
resistor network

LR20 mono BE UP

LR20 mono BJ UP

LR20 mono GMP
UP

LR20 mono GE UP

LR20 mono GF UP

LR20 mono JU UP

**Program selector
switch**

6 programs

PRO 3 BE UP
PRO 3 BE UP -R

PRO 3 BJ UP
PRO 3 BJ UP -R

PRO 3 GMP UP
PRO 3 GMP UP-R

PRO 3 GE UP
PRO 3 GE UP -R

PRO 3 GF UP
PRO 3 GF UP -R

PRO 3 JU UP
PRO 3 JU UP -R

All the listed switch programs request the following supplement from the switch manufacturers:

- cover with toggle button for blind rotary switches and suitable outward frames
- for LST100 an additional blind cover and suitable outward frame

Deep-seated in-wall sockets are strictly recommended.

Amplifier for switch programs, without center plates, frames and sockets

Power
Type

Order details

Berker

ARSYS
B.1
B.3
B.7
K.1
K.5
Modul 2
S.1
Twinpoint

Busch-Jaeger

alpha nea
alpha exclusive
axcent
Busch-Duro
carat
future
future linear
impuls
Reflex SI
solo

GIRA

High-grade steel
S-Color

Merten

-System M-
1-M
Atelier-M
M-Smart
M-Plan
M-Arc
M-Star
Design-Antik
Atelier
Artec
M1
OctoColor

PEHA

AURA
DIALOG
STANDARD

GIRA

-System 55-
E2
Event
Esprit
Standard 55

GIRA

F-Line

JUNG

A 500
AS 500
A Creation
CD 500
CD plus
Stainless Steel
LS 990
SL 500
ELSO
FASHION
NOVIA
SCALA

Amplifier mono

Preamplifier incl. center plate (50 x 50 mm) alpine white	PREAMP UP	PREAMP UP	PREAMP UP	PREAMP UP	PREAMP UP	PREAMP UP
Lineamplifier 10 Watt 4 Ω	AMP 10 BE UP	AMP 10 BJ UP	AMP 10 GMP UP	AMP 10 GE UP	AMP 10 GF UP	AMP 10 JU UP
Lineamplifier for EIB/KNX 10 Watt 4 Ω	AMP 10 DC BE JU UP	AMP 10 DC BJ UP	for GIRA: AMP 10 DC GI UP for Merten: AMP 10 DC ME UP for PEHA: AMP 10 DC PE UP	AMP 10 DC GI UP	AMP 10 DC GI UP	for JUNG: AMP 10 DC BE JUUP
Lineamplifier for EIB/KNX, suitable for DIN rail mounting 10 Watt 4 Ω	AMP 10 DC HS	AMP 10 DC HS	AMP 10 DC HS	AMP 10 DC HS	AMP 10 DC HS	AMP 10 DC HS

For the mentioned range of switch boxes you require the following parts from the switch producer:

Preamplifier (PREAMP ...): Intermediate frame for 50 x 50 mm center plates and cover frame.

Lineamplifier (AMP 10 ...): Cover plate with knob and cover frame.

Lineamplifier for EIB/KNX (AMP 10 DC ...): Blank center plate and cover frame. Suitable EIB/KNX Audioactuator AM 840.

You have always to use deep inwall outlets.

Monitor speaker incl. metal grid, without frames and sockets

Power Type	Order details					
	Busch-Jaeger impuls GIRA S-Color JUNG High-grade steel LS 990 PEHA DIALOG	GIRA -System 55- E2 Event Esprit Standard 55 JUNG A500	JUNG CD 500 CD plus	Busch-Jaeger Solo Future	Merten M1, Atelier, Epoca (direct installation) Artec, Antik, Tracent (only with adapter) OctoColor (only with adapter)	Merten M-SMART M-ARC M-PLAN (not for M-PLAN II) M-STAR Berker B.1 B.3 B.7 S.1
100 V Version						
3/1,5 Watt 100 V transformer UP-Version single	KEL GBJP UP T	KEL GE UP T white KEL GE UP T alu KEL GE UP T anthrazit	KEL JU UP T	KEL BJ T UP studiowhite	KEL ME T UP polarwhite	KEL MM T UP polarwhite
3/1,5 Watt 100 V transformer AP-Version double	for GIRA: KEL GI AP T for JUNG: KEL GTJL AP T for PEHA: KEL PE AP T	KEL GE AP T* white KEL GE AP T* alu KEL GE AP T* anthrazit	KEL JU AP T	KEL BJ T AP studiowhite	KEL ME T AP polarwhite	KEL MM T AP polarwhite
8 Ω Version						
3 Watt 8 Ω	KEL GBJP 8 Ω	KEL GE 8 Ω white KEL GE 8 Ω alu KEL GE 8 Ω anthrazit	KEL JU 8 Ω	KEL BJ 8 Ω studiowhite	KEL ME 8 Ω polarwhite	KEL MM 8 Ω polarwhite
20 Ω Version						
3 Watt 20 Ω	KEL GBJP 20 Ω	KEL GE 20 Ω white KEL GE 20 Ω alu KEL GE 20 Ω anthrazit	KEL JU 20 Ω	KEL BJ 20 Ω studiowhite	KEL ME 20 Ω polarwhite	KEL MM 20 Ω polarwhite

*only suitable for GIRA

